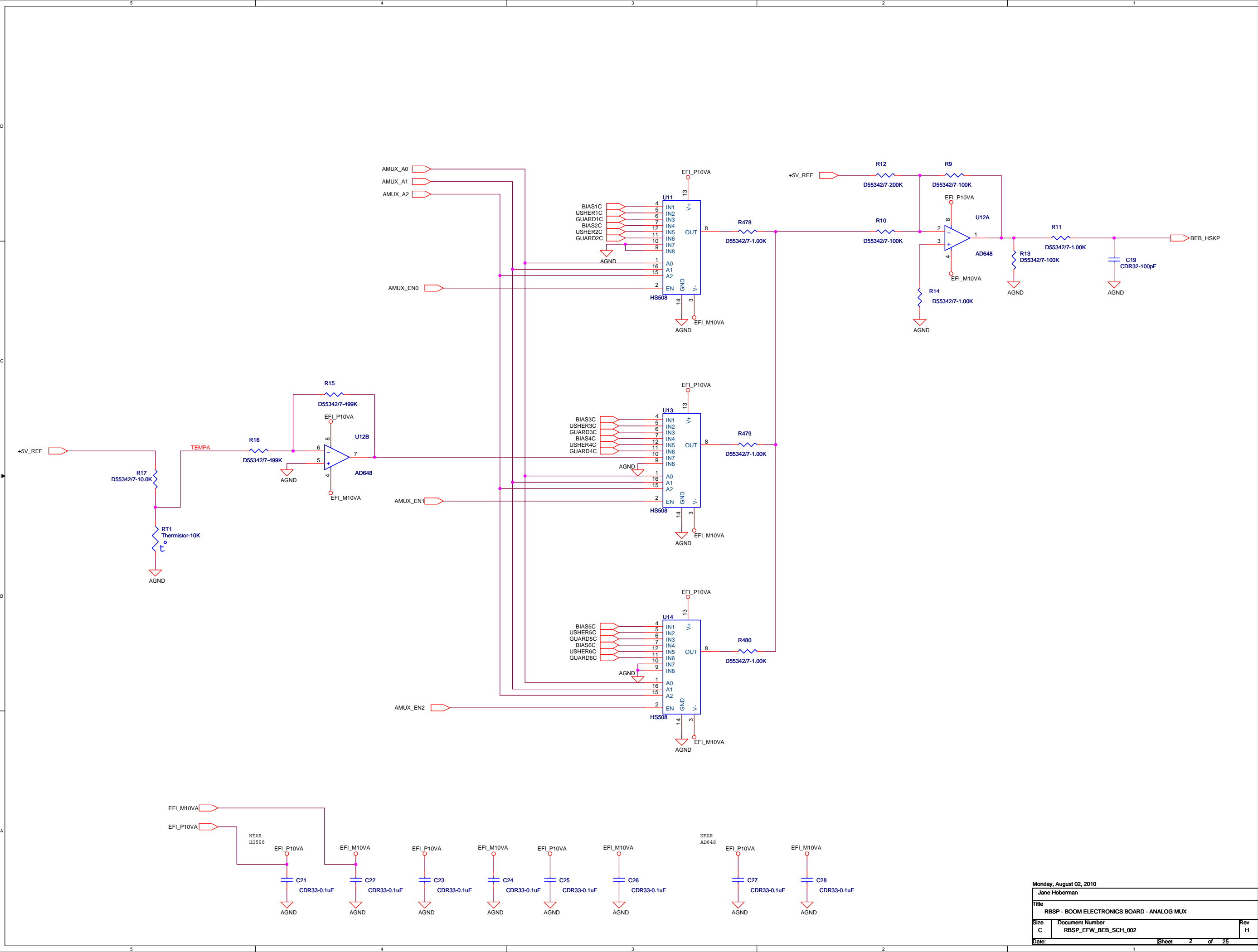


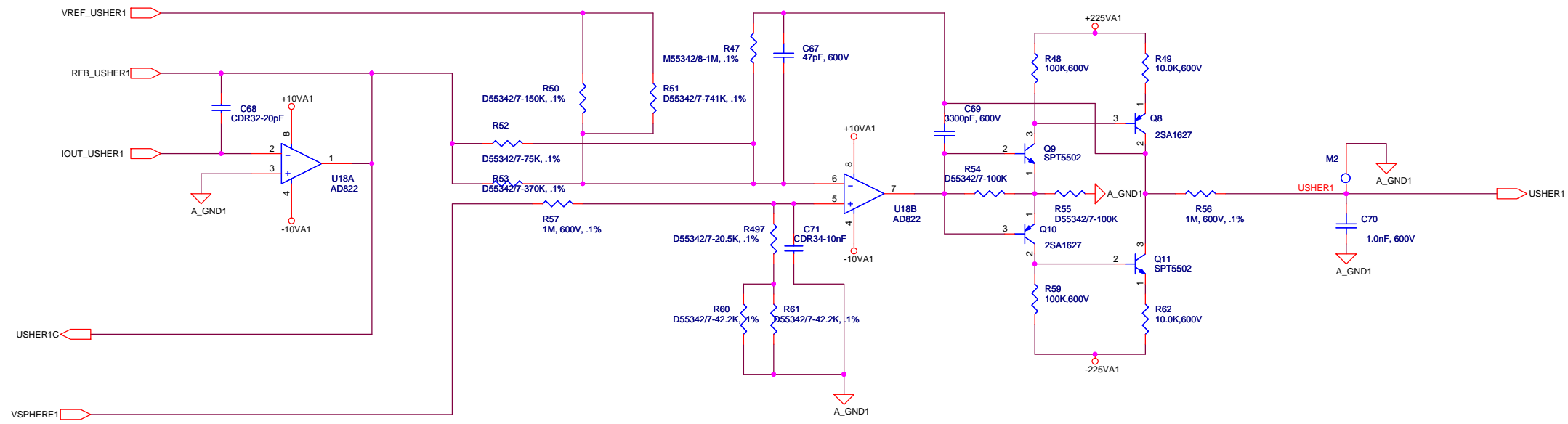
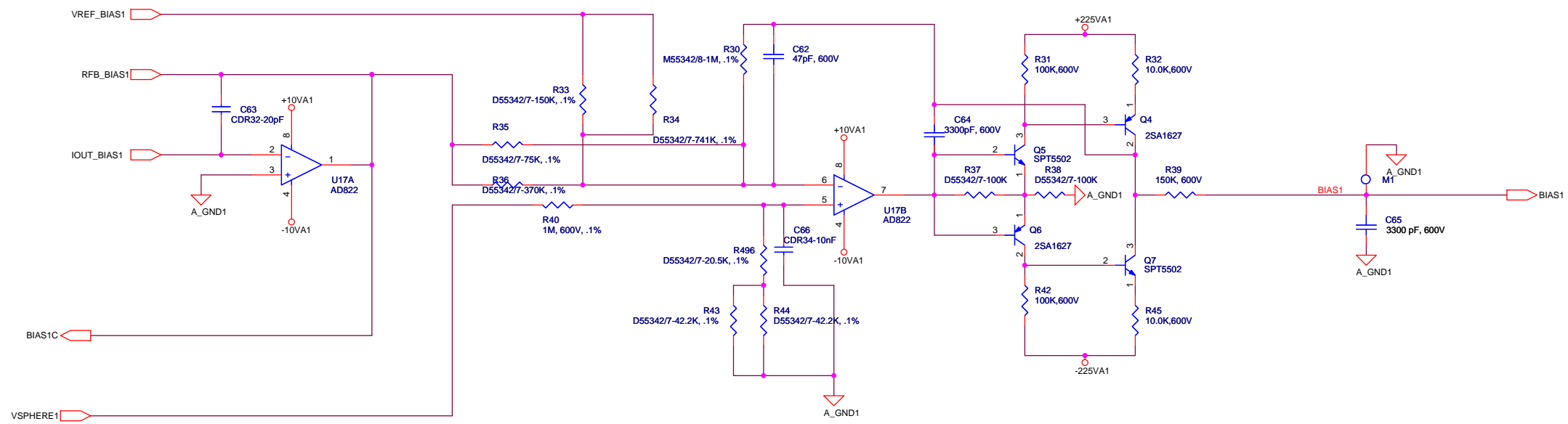
Monday, August 02, 2010

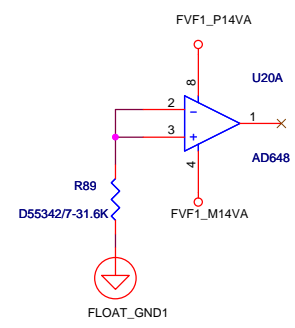
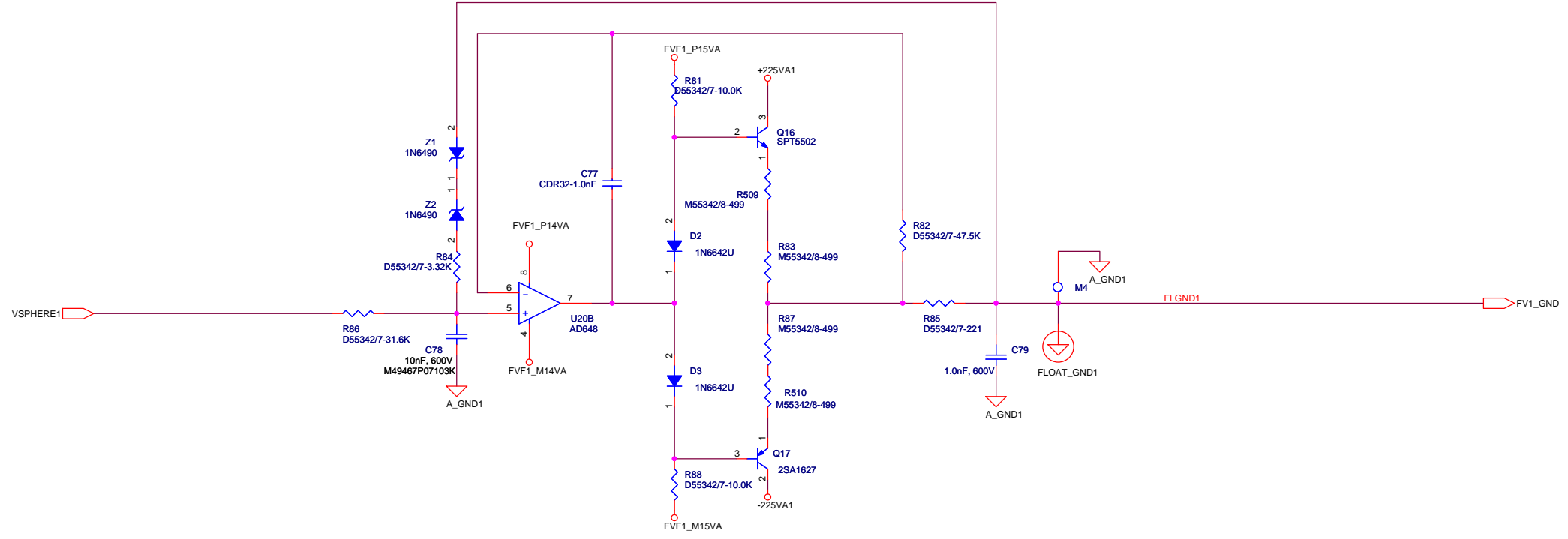
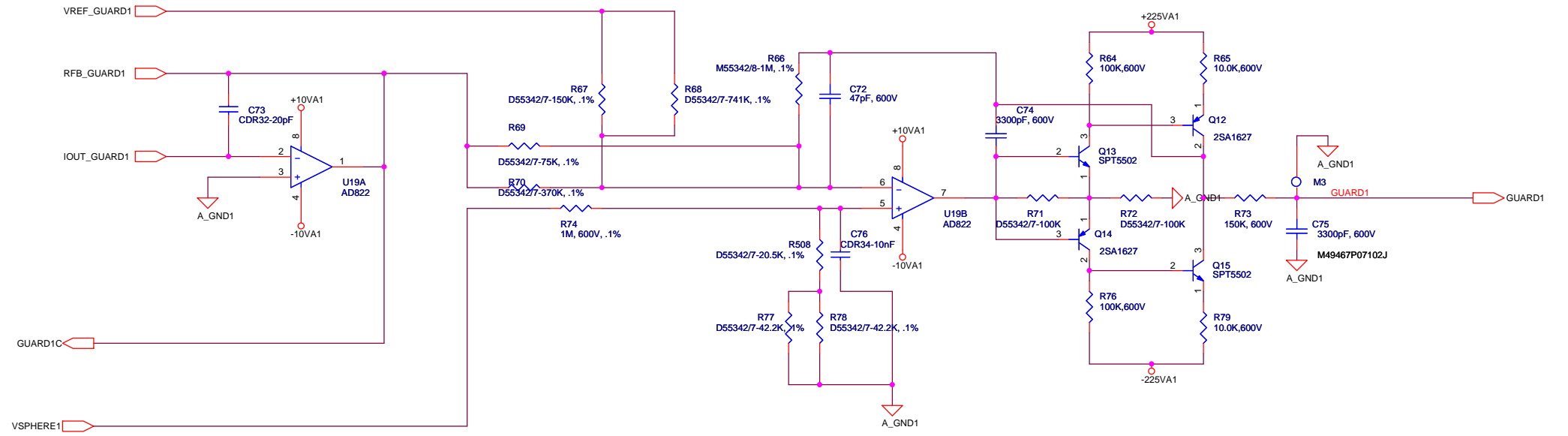
Cog. Engineer Jane Hoberman	Date:
System Engineer David Curtis	Date:
Title RBSB - BOOM ELECTRONICS BOARD - BLOCK DIAGRAM	
Size C	Document Number RBSB_EFW_BEB_SCH_002
Revised Date:	Rev H

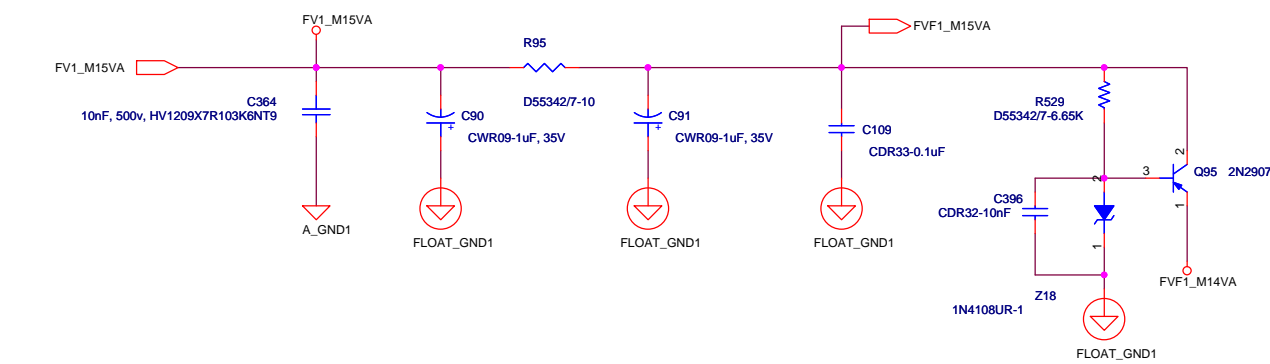
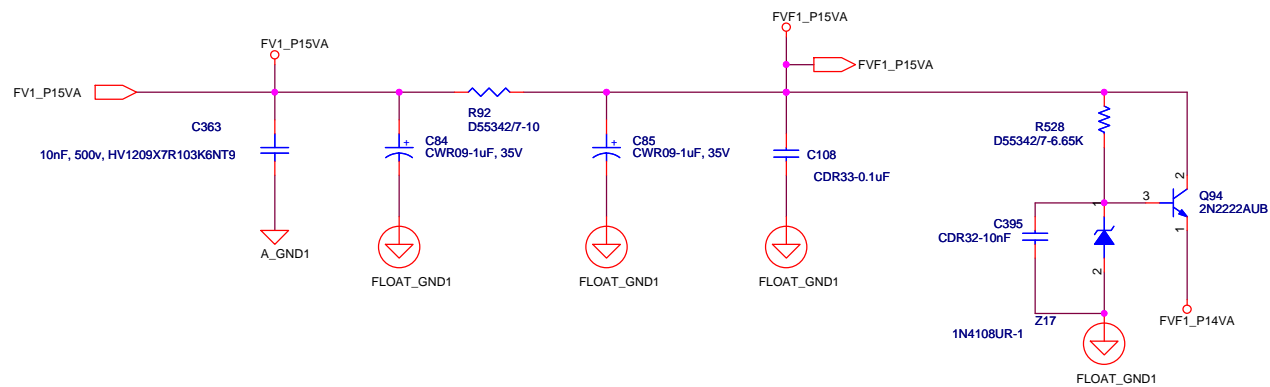
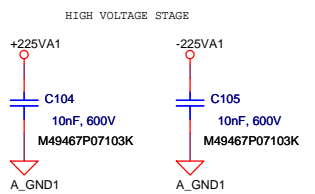
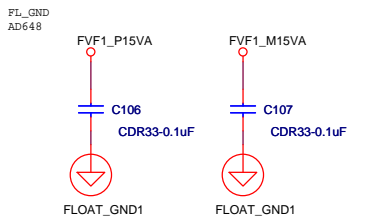
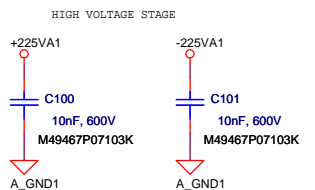
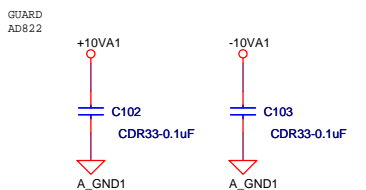
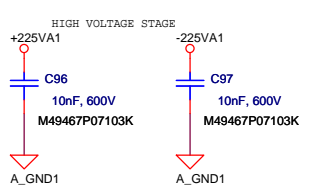
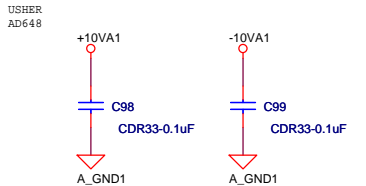
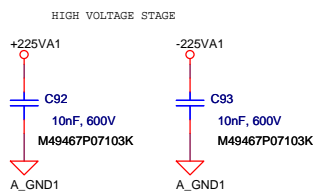
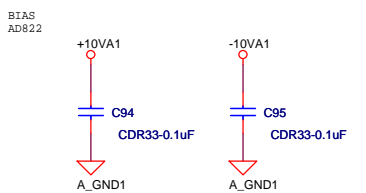
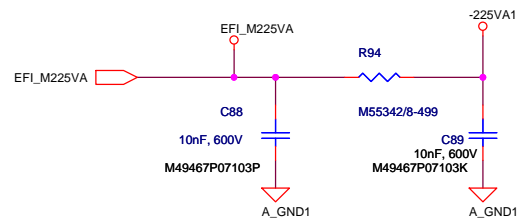
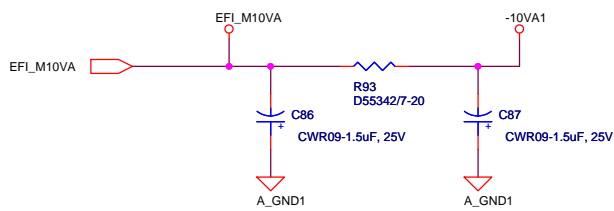
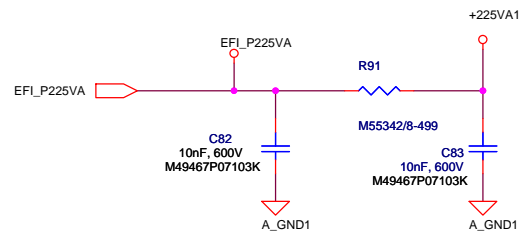
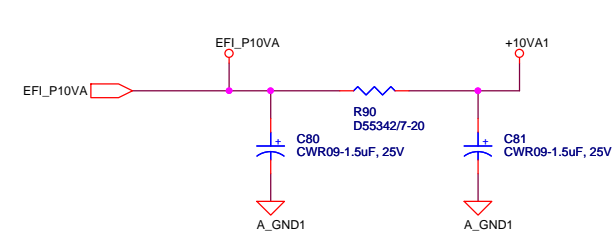
Sheet 1 of 25

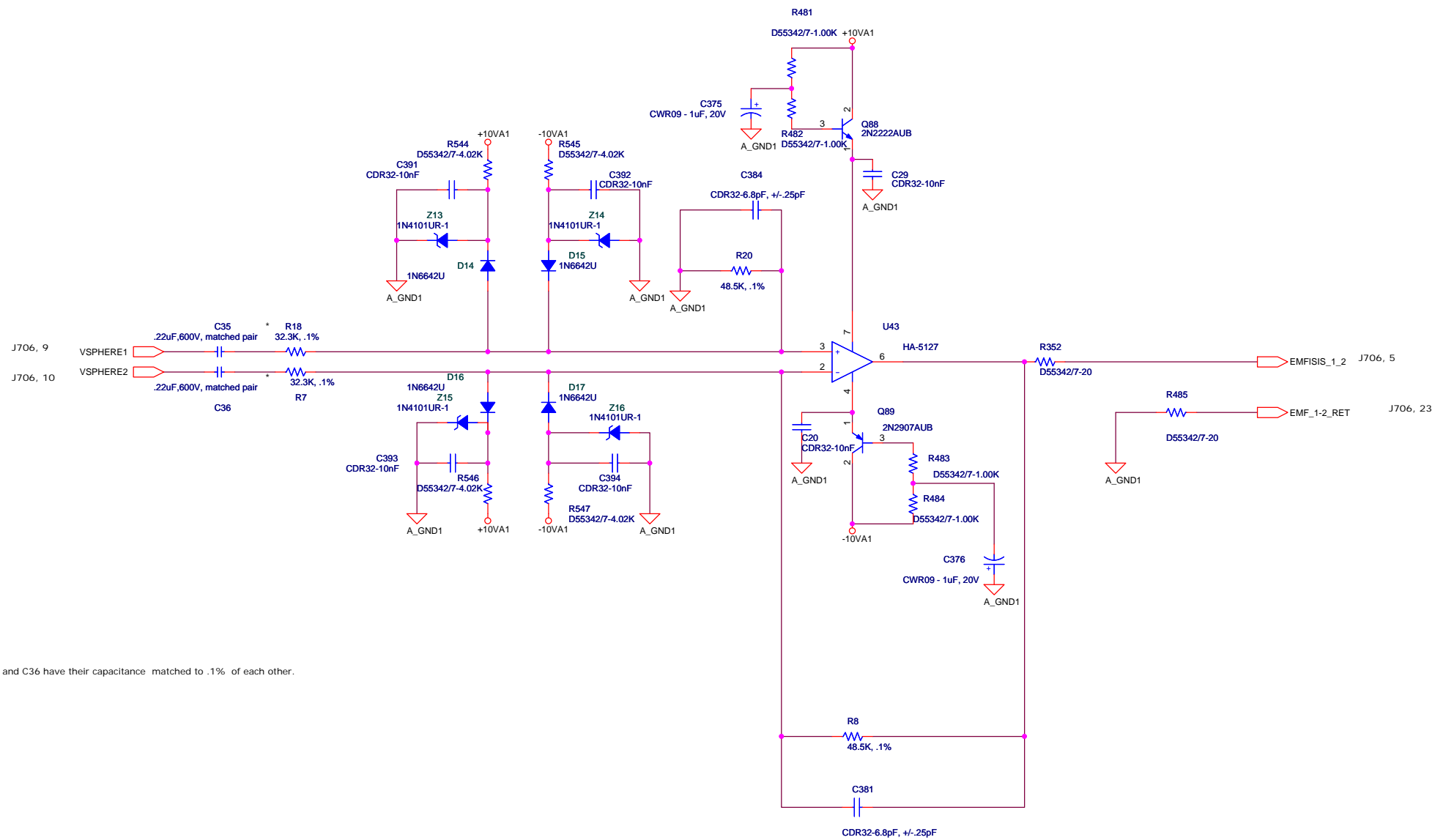


Monday, August 02, 2010	
Jane Hoberman	
Title RBSP - BOOM ELECTRONICS BOARD - ANALOG MUX	
Size C	Document Number RBSP_EFW_BEB_SCH_002
Date:	Rev H
Sheet 2 of 25	



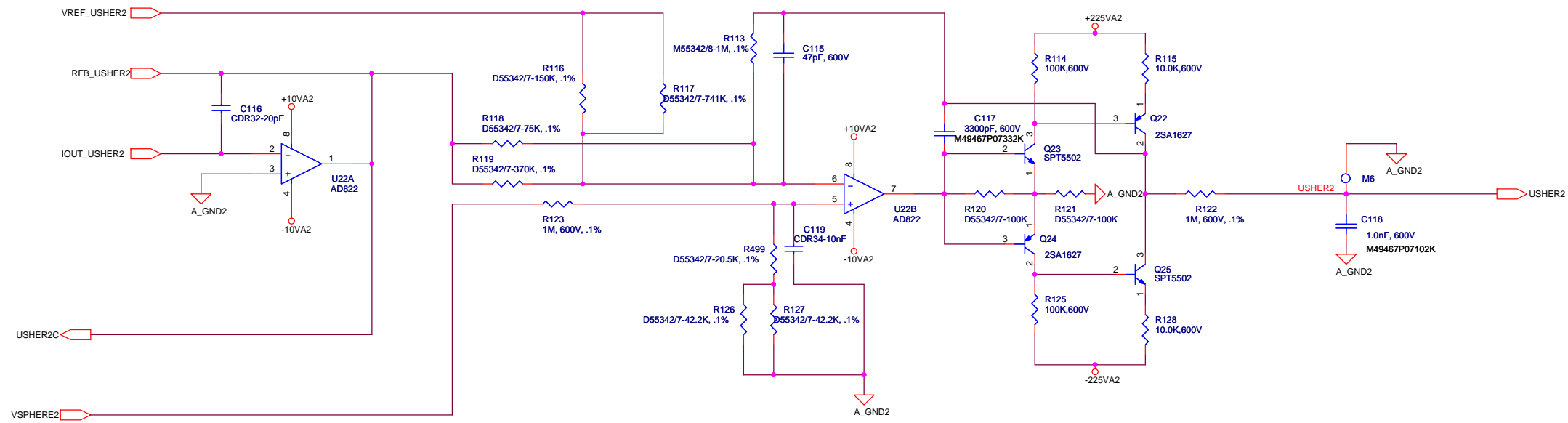
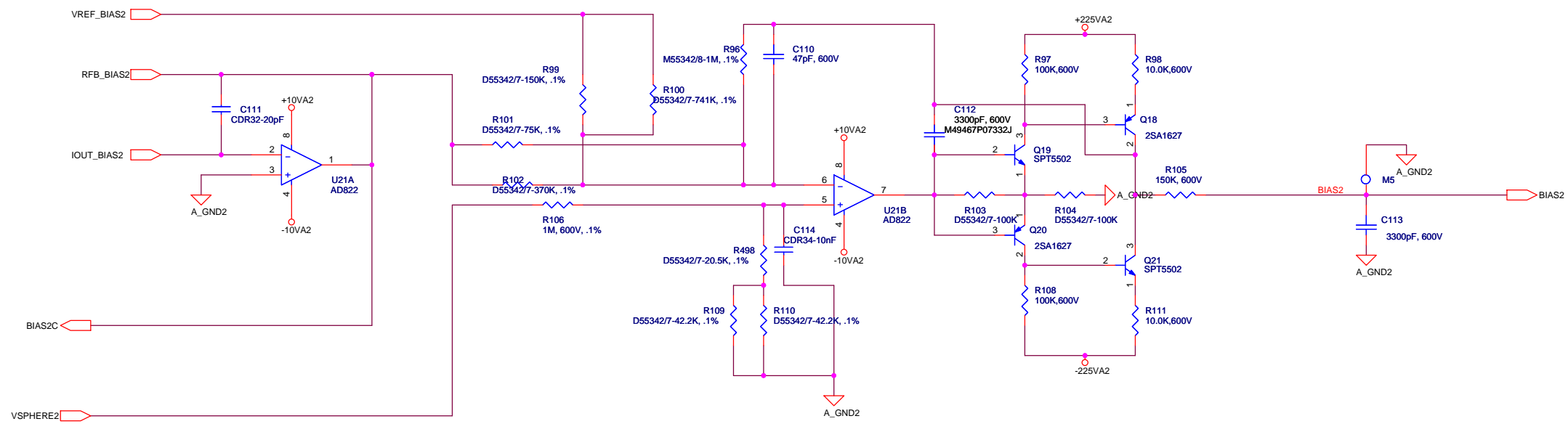


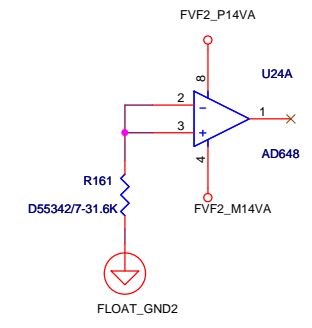
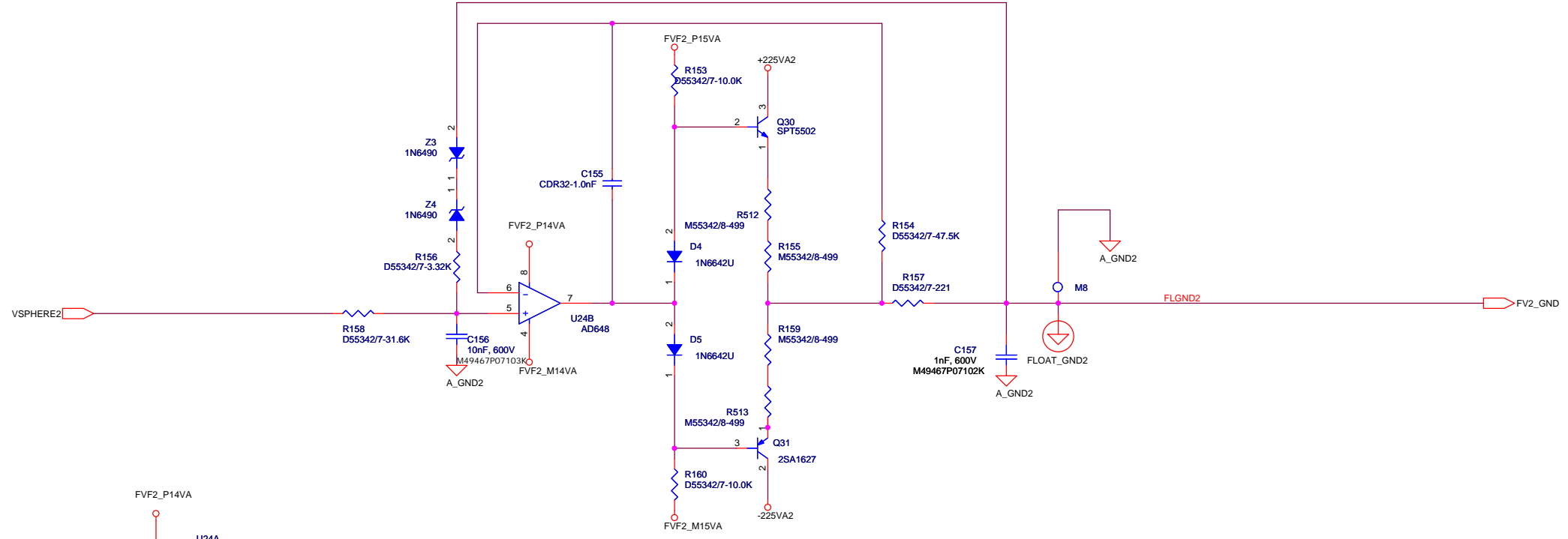
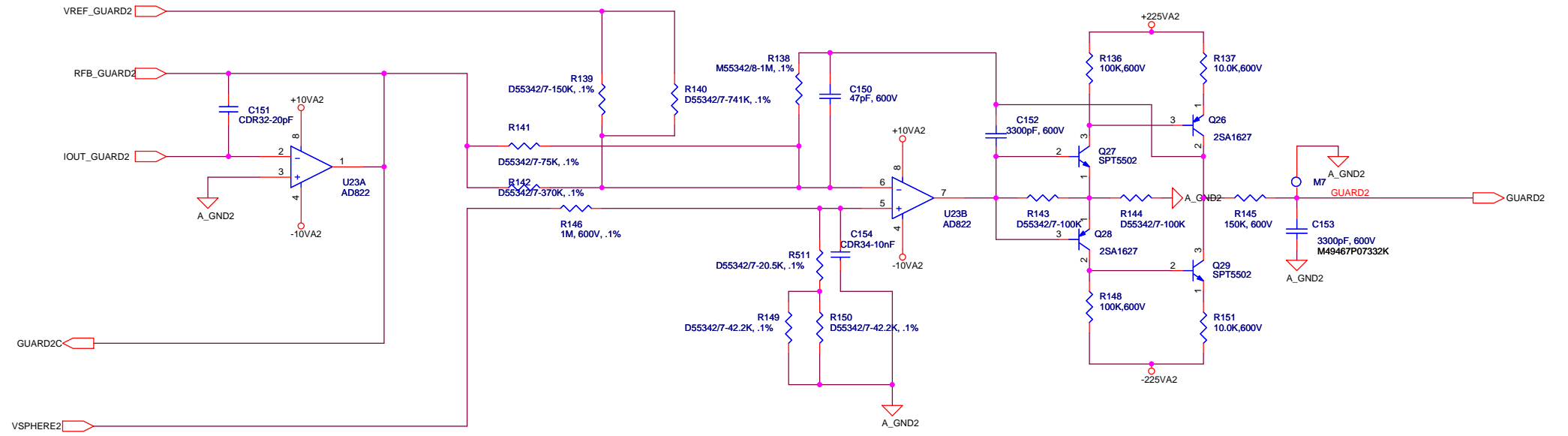


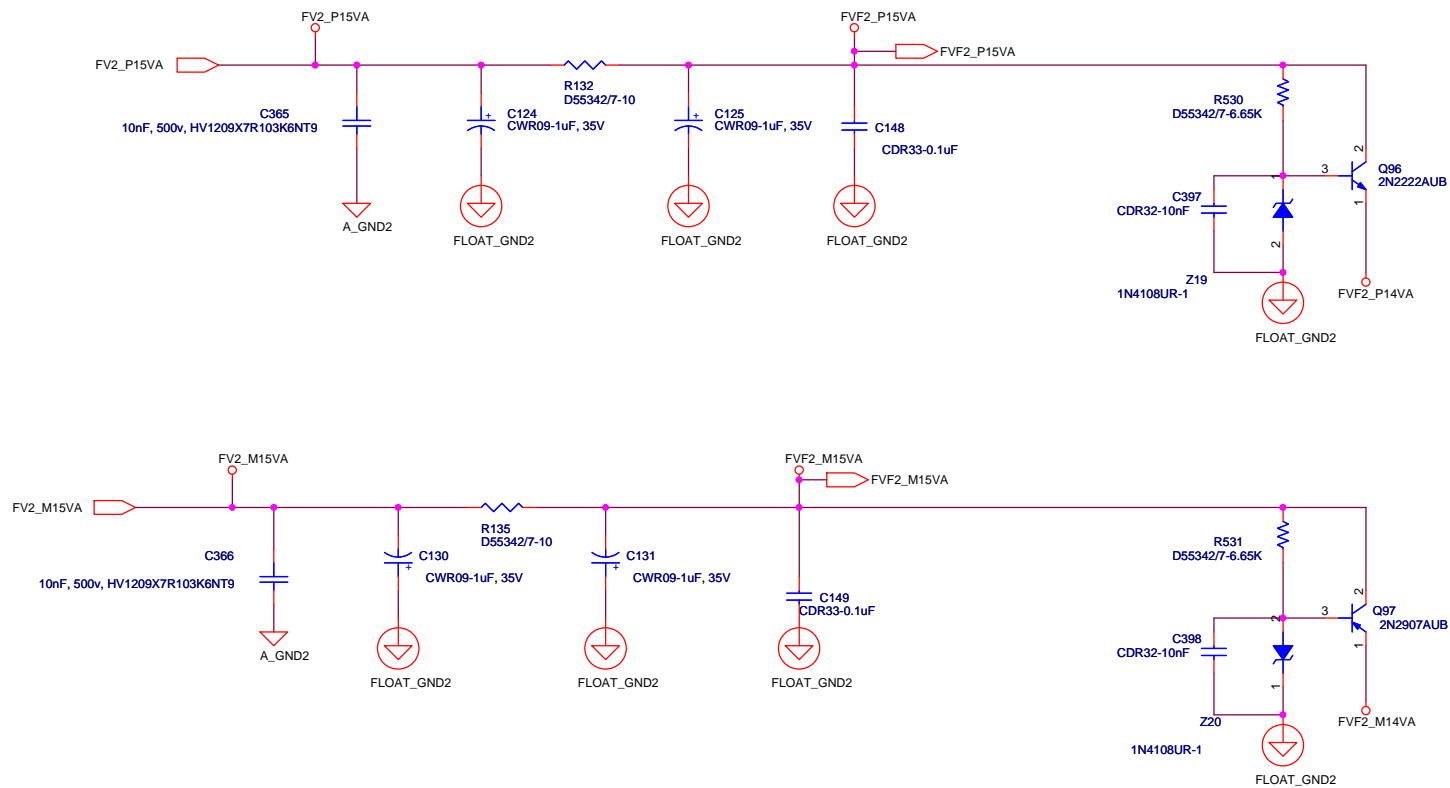
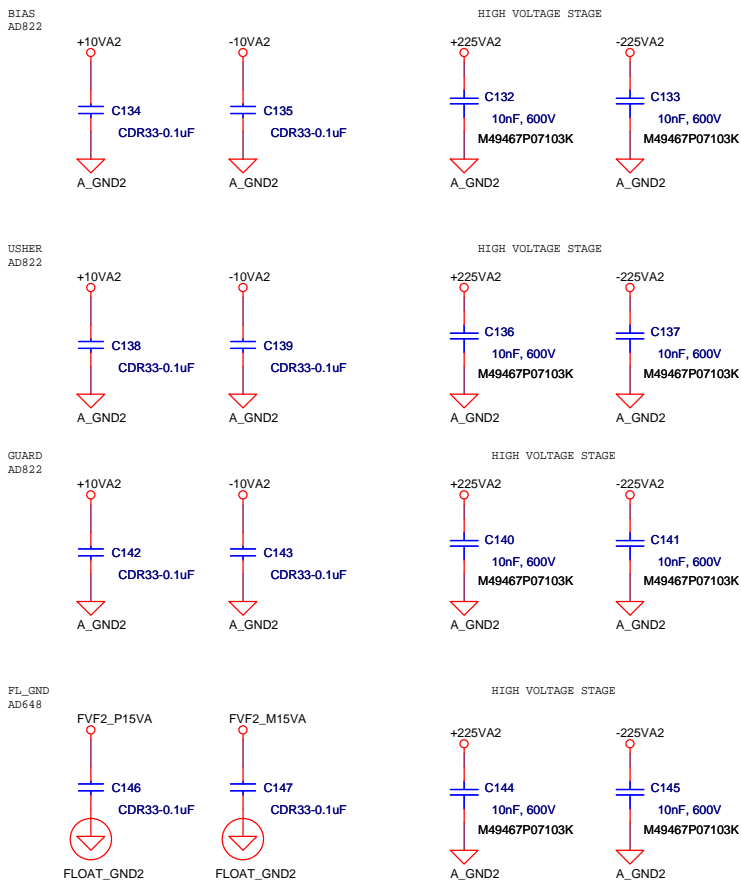
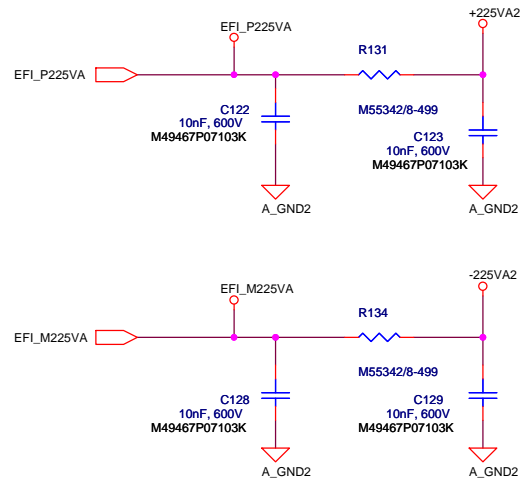
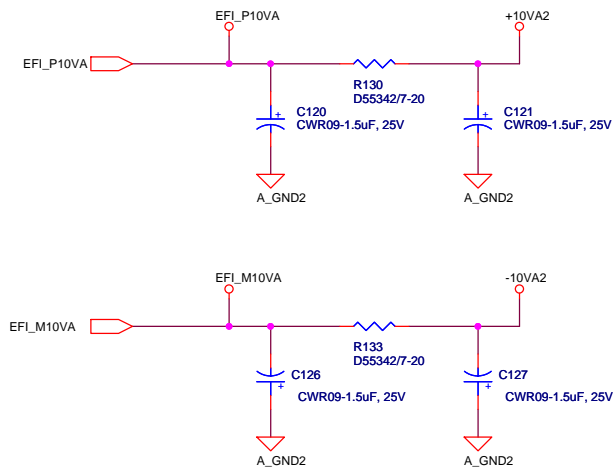


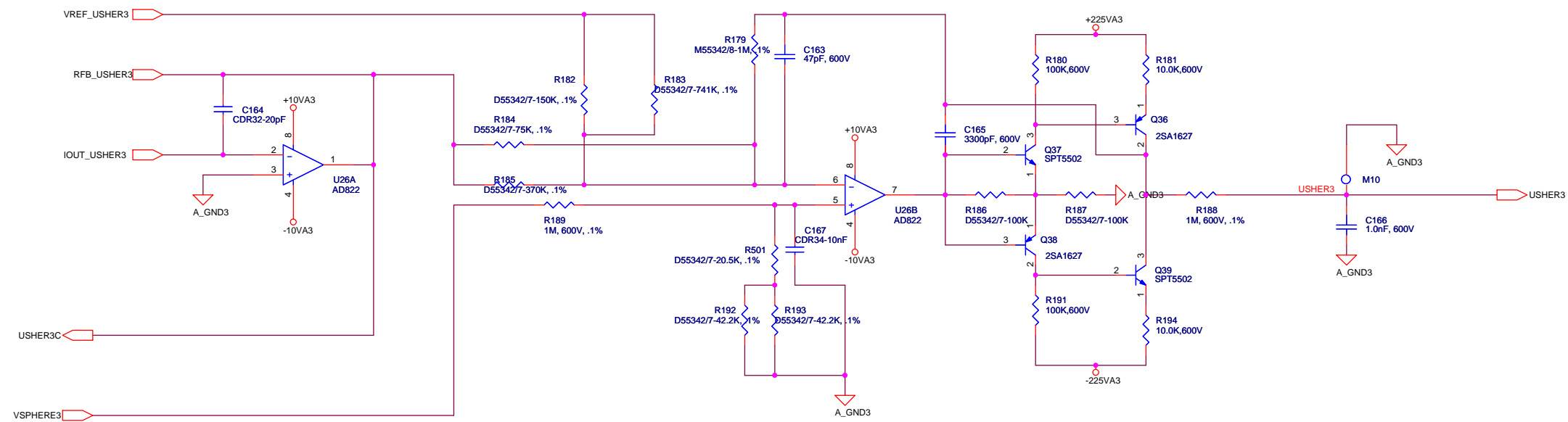
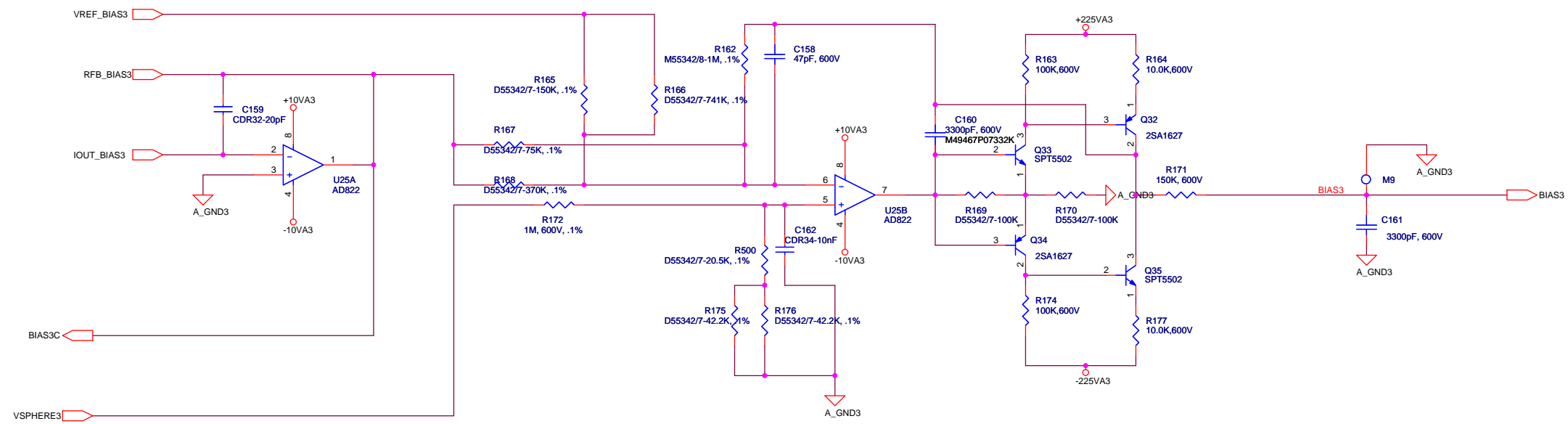
* C35 and C36 have their capacitance matched to .1% of each other.

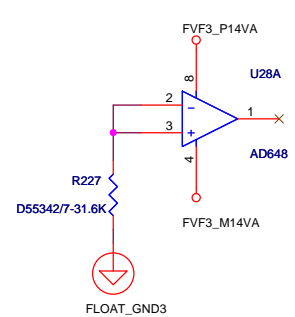
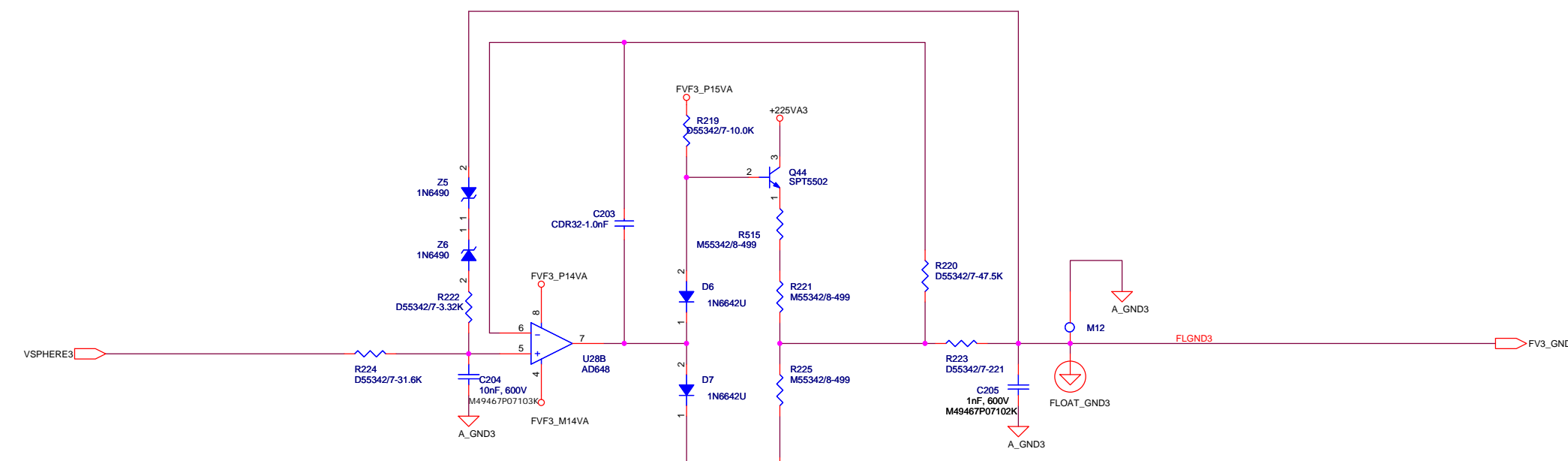
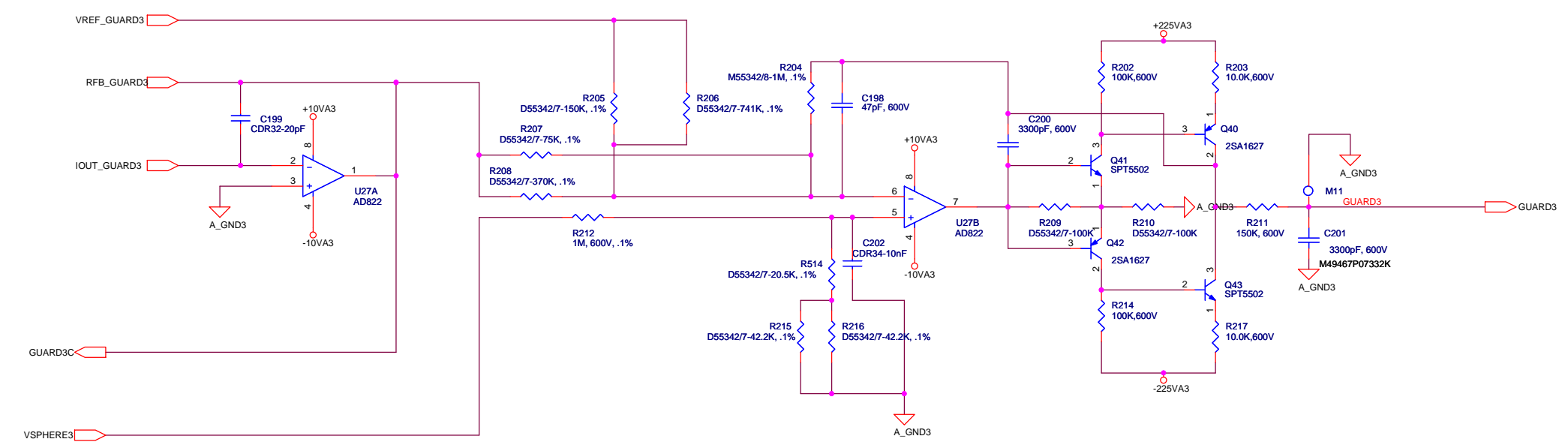
Title		
RBSP_BEB_EMFISIS_CHANNEL 1		
Size	Document Number	Rev
C	RBSP_EFW_BEB_SCH_002	H
Date:	Monday, August 02, 2010	Sheet 6 of 25

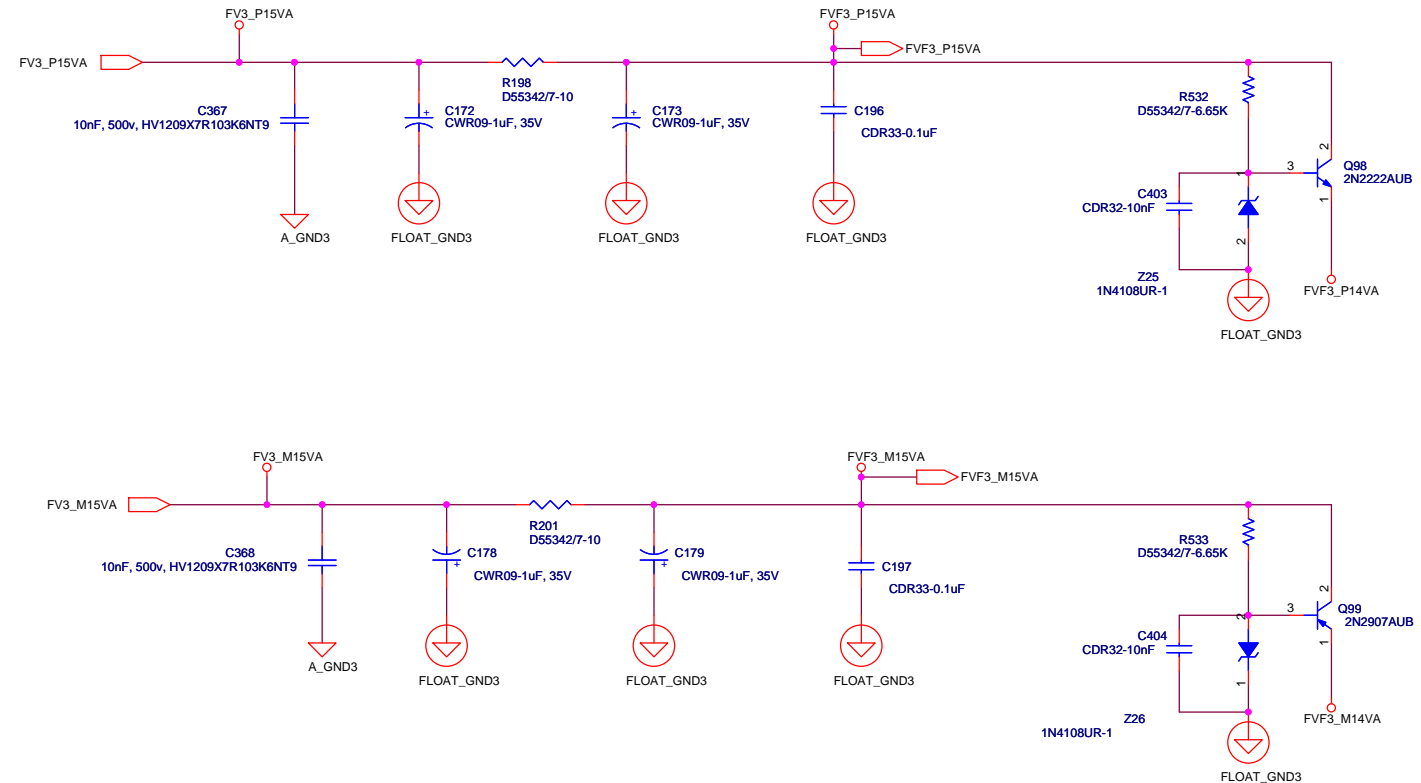
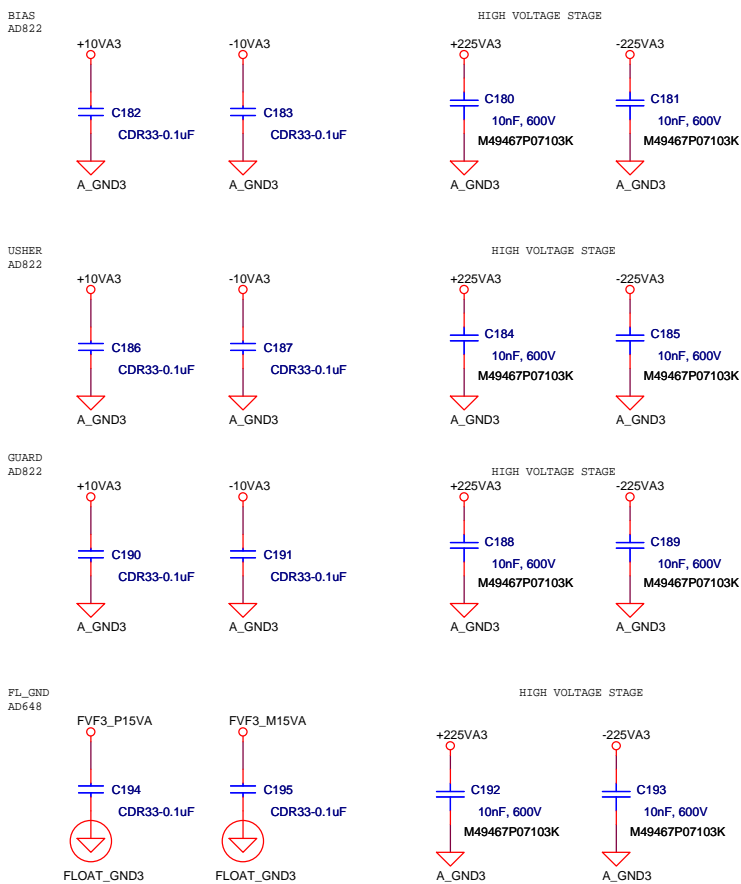
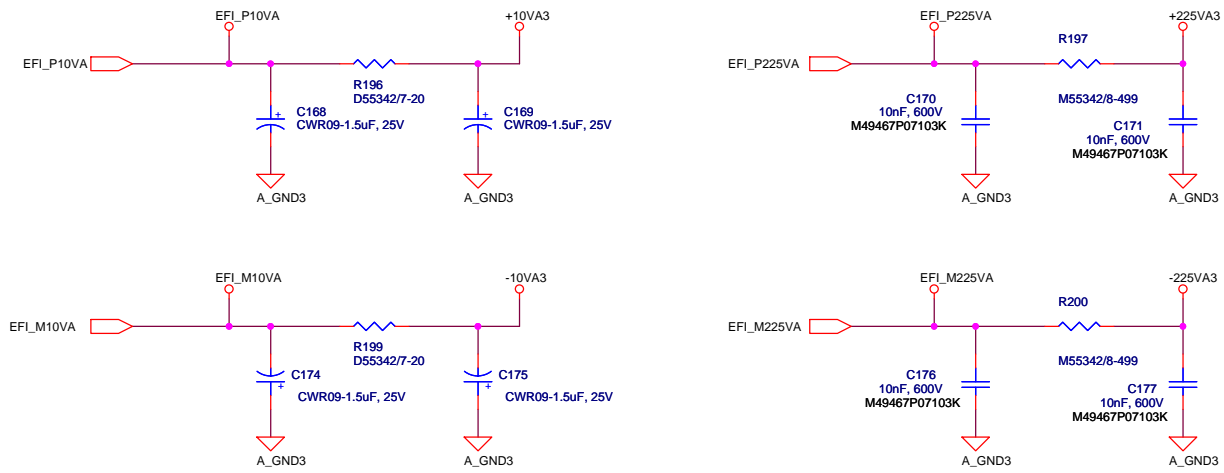


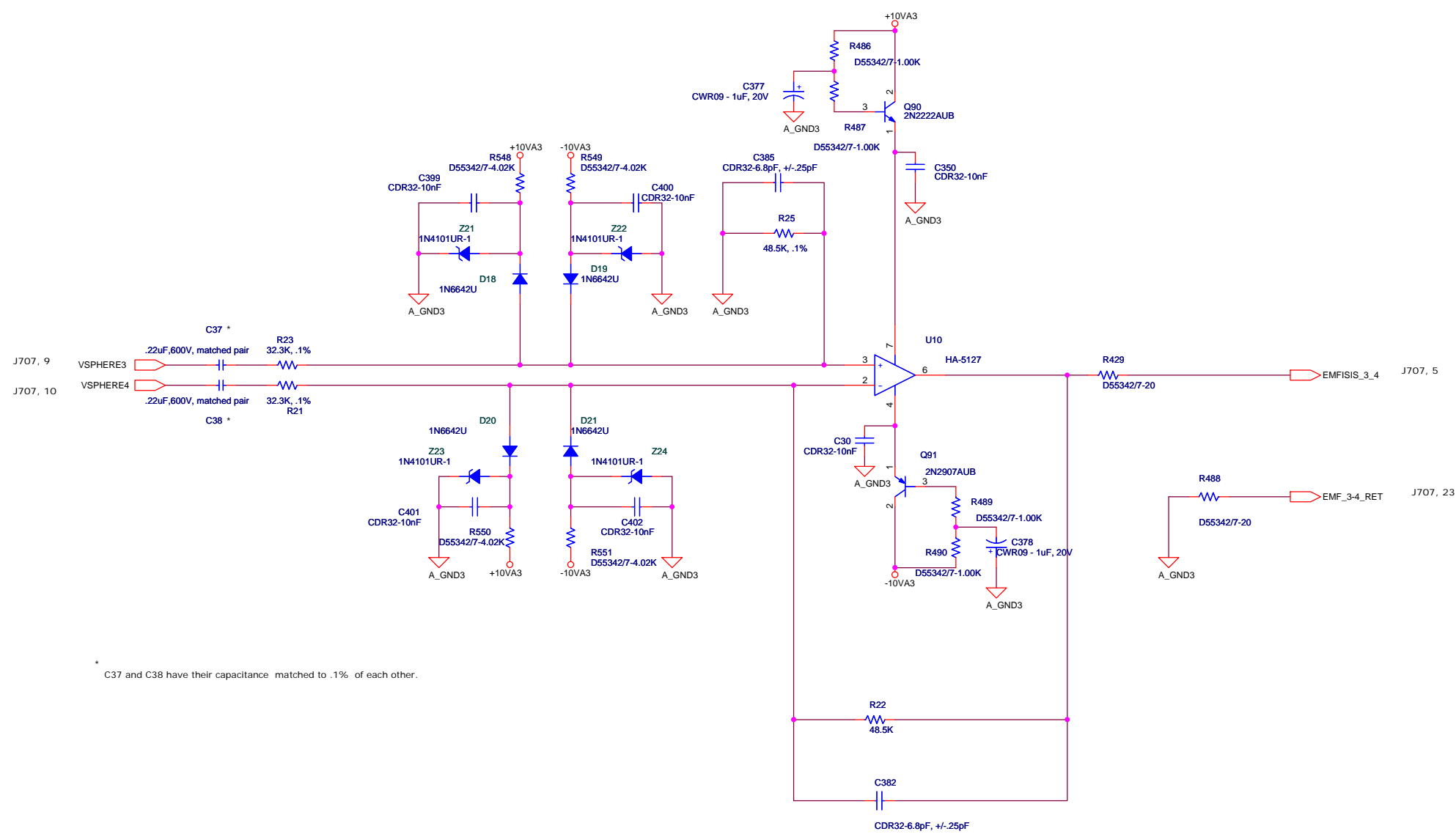






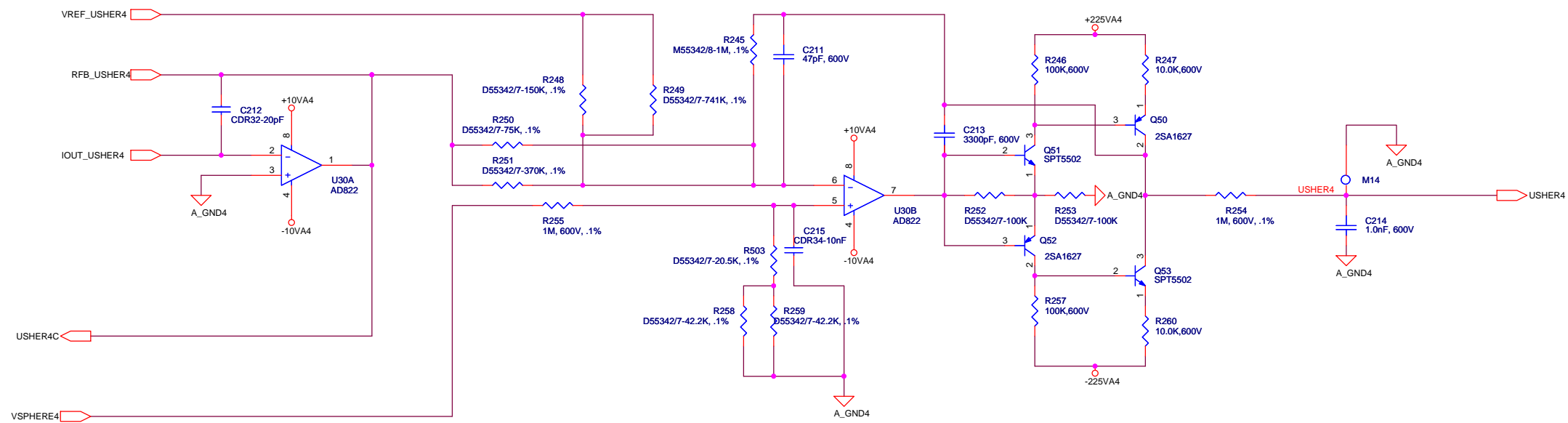
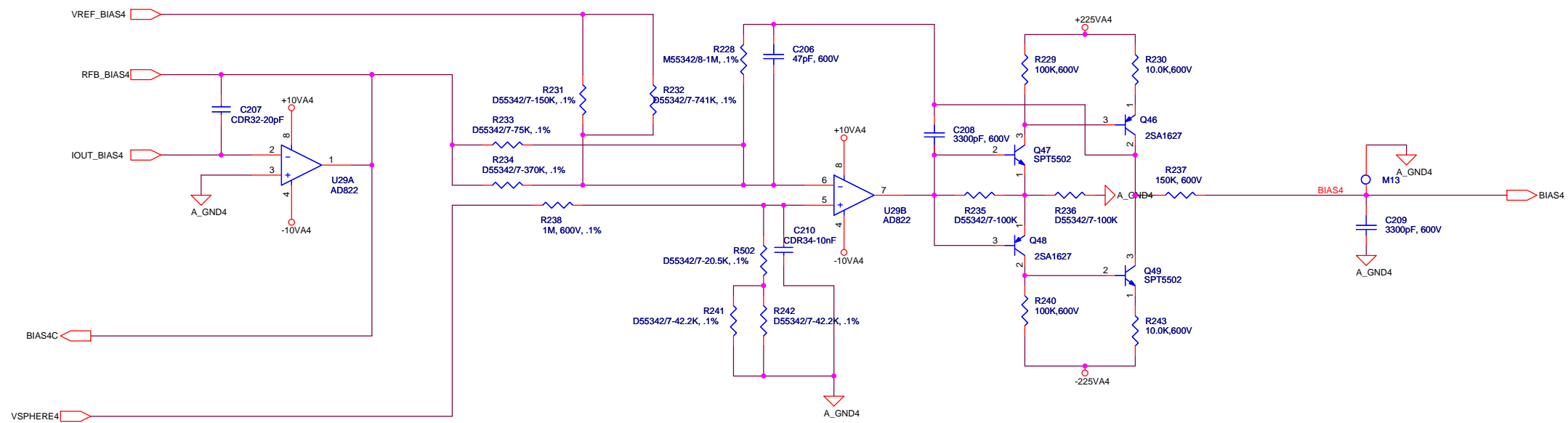


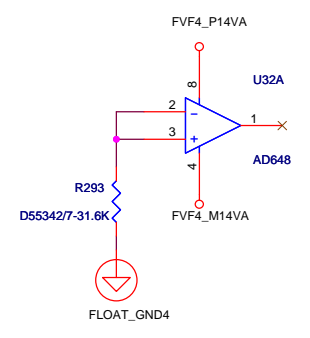
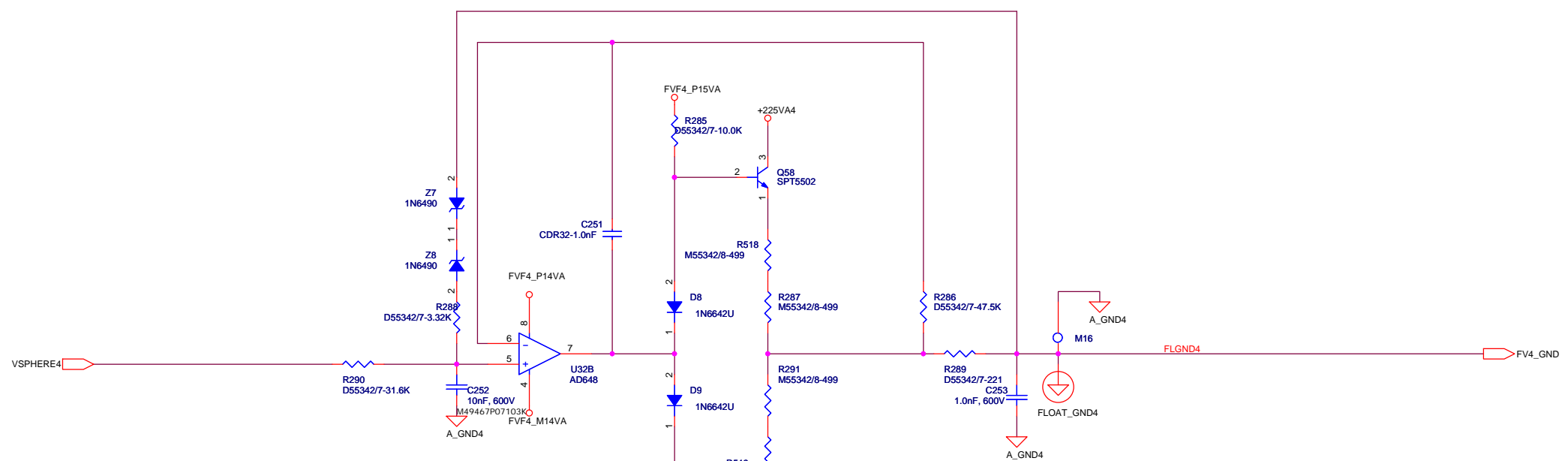
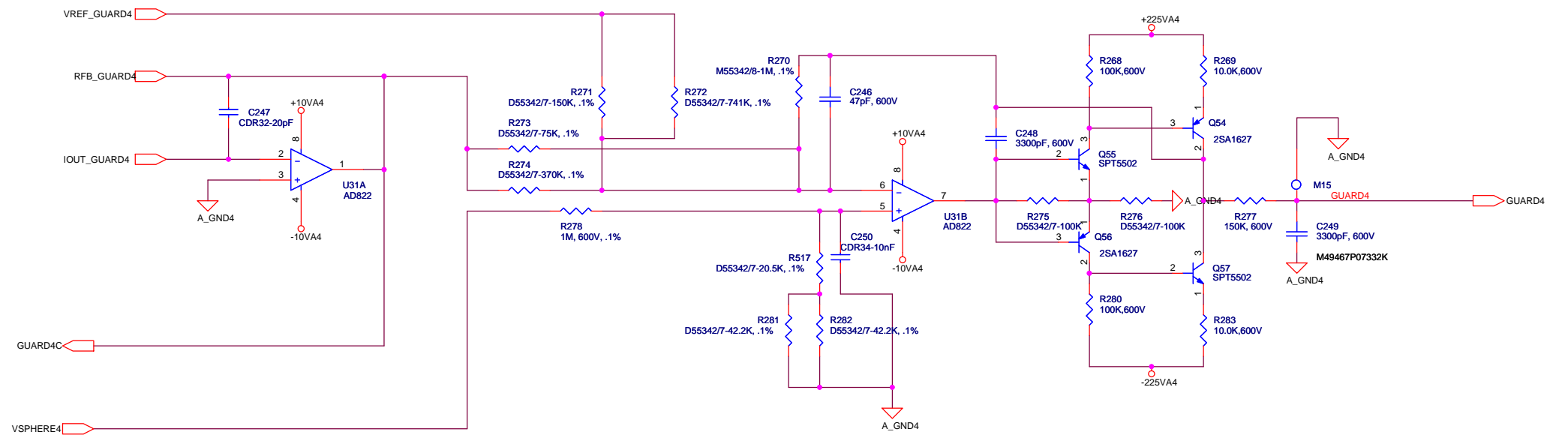


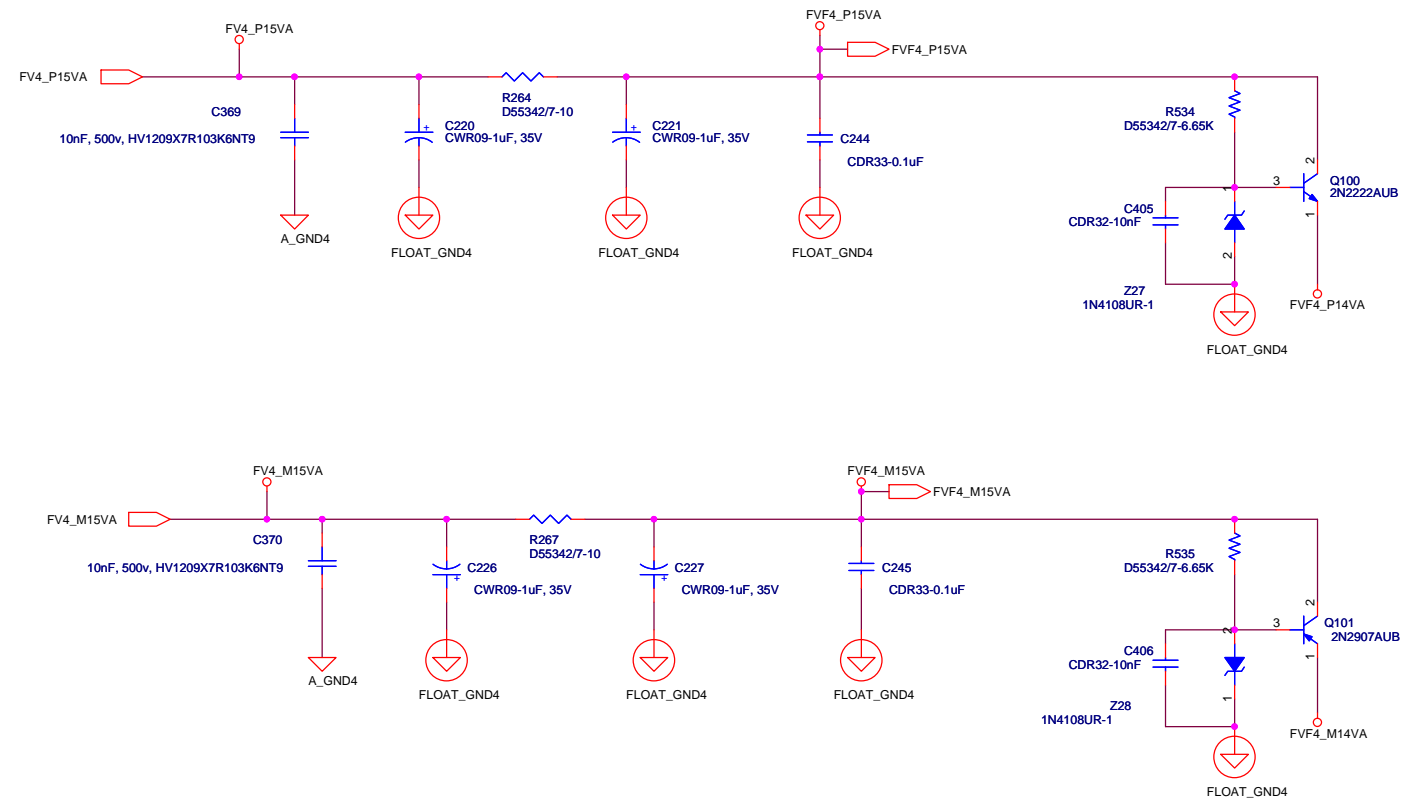
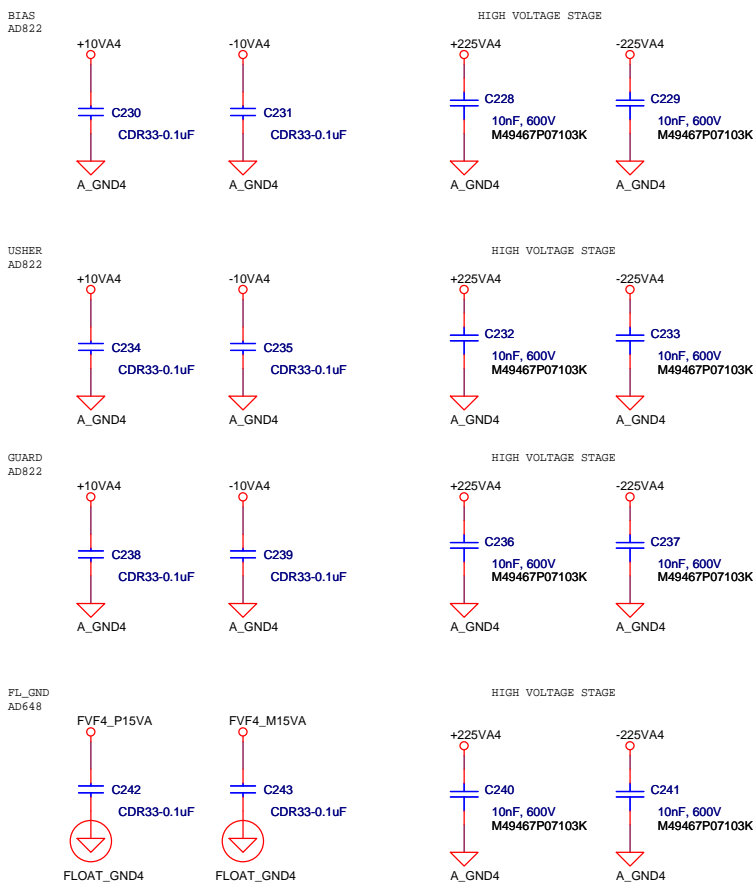
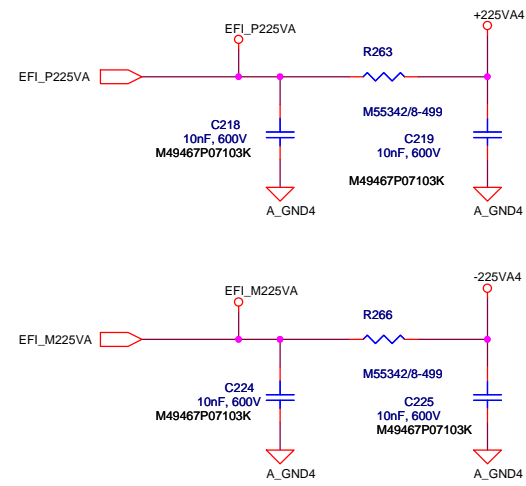
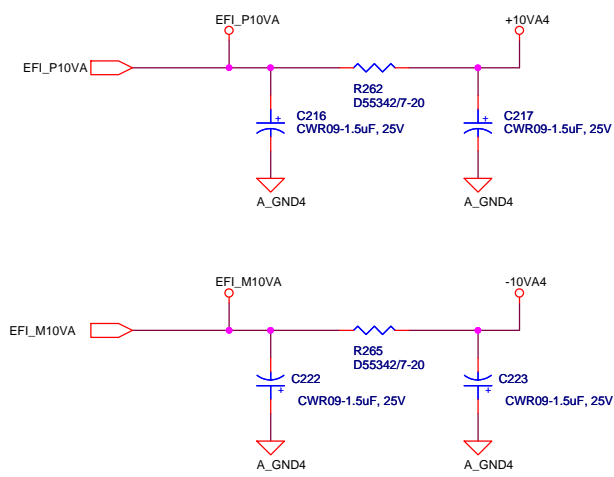


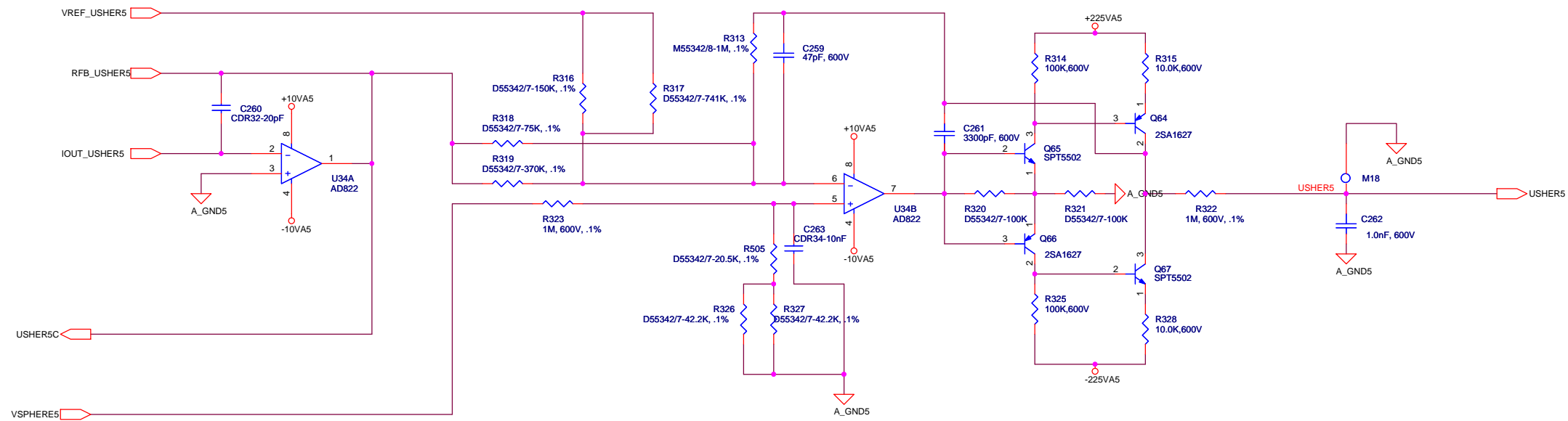
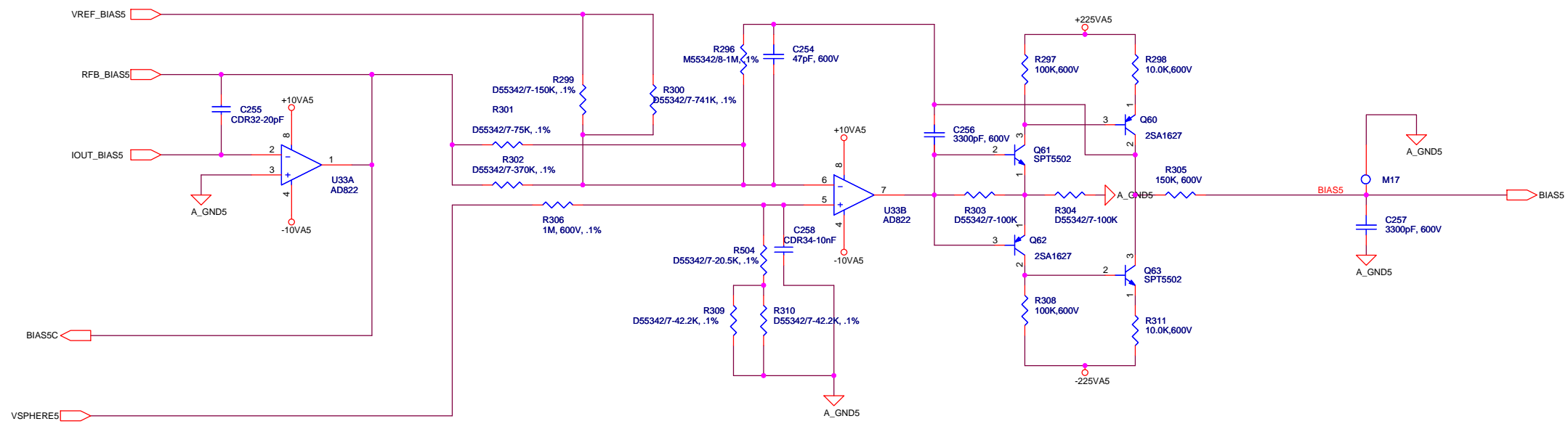
* C37 and C38 have their capacitance matched to .1% of each other.

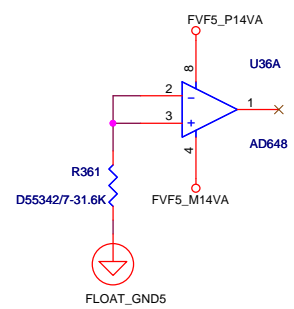
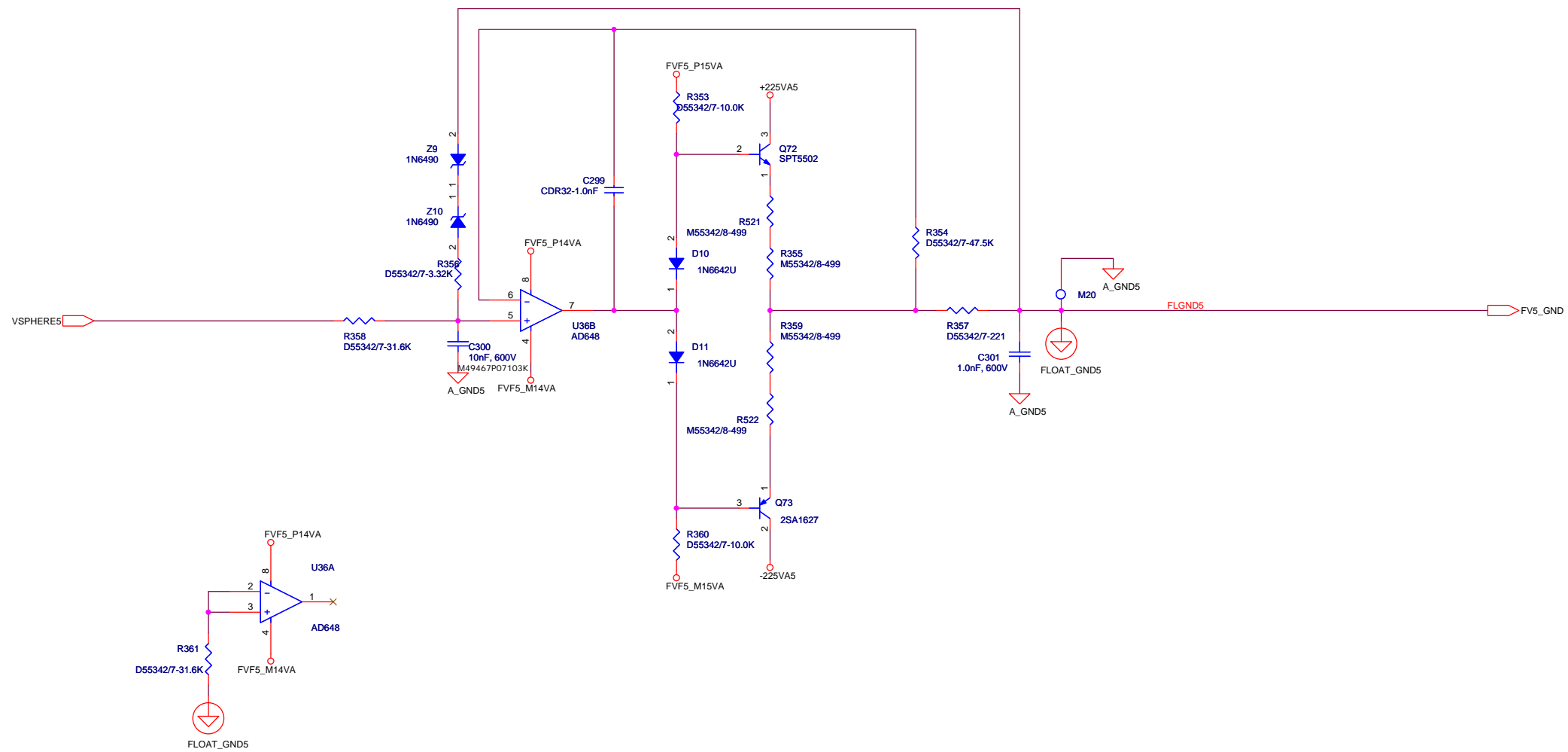
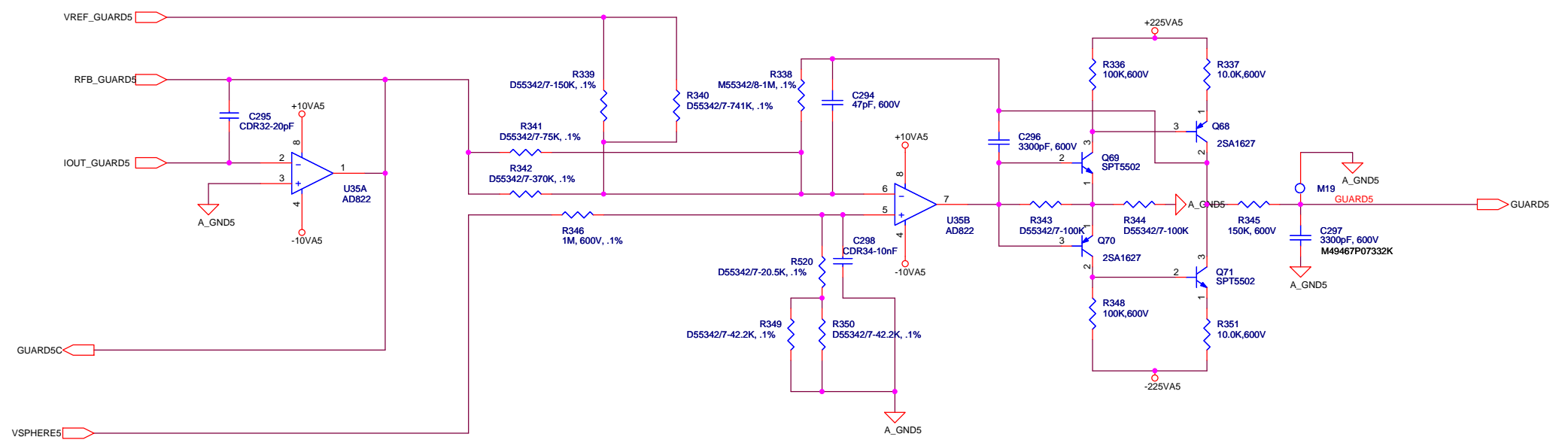
Monday, August 02, 2010		
Jane Hoberman		
Title R BSP - BOOM ELECTRONICS BOARD - EMFISIS_ CHANNEL 3		
Size C	Document Number R BSP_EFW_BEB_SCH_002	Rev H
Date: Monday, August 02, 2010	Sheet 13	of 25

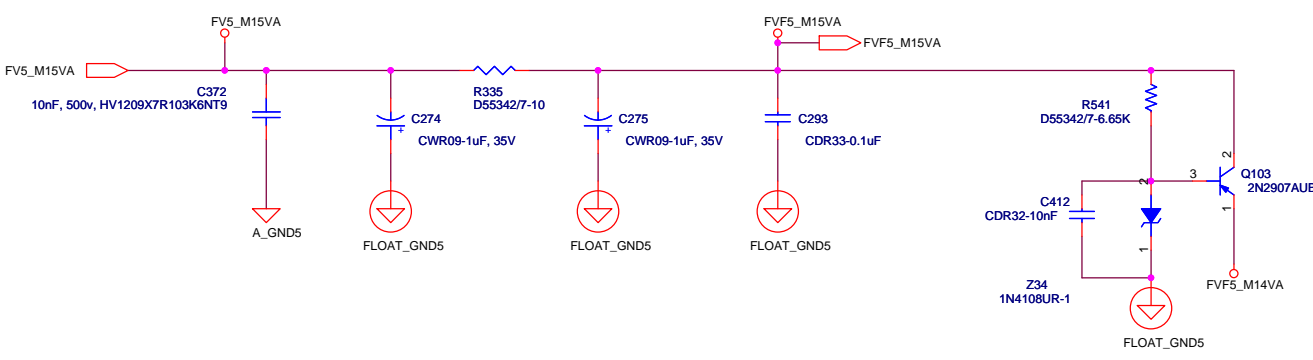
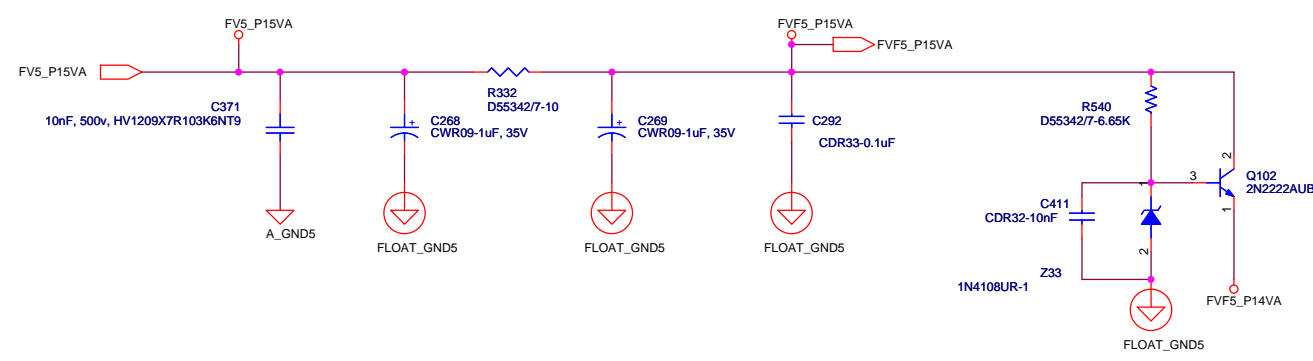
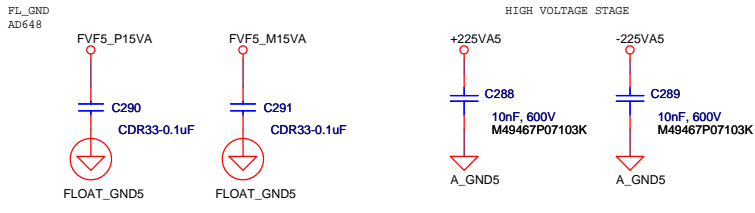
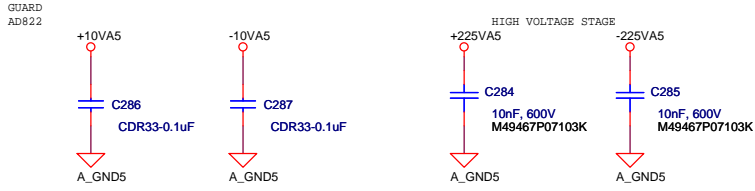
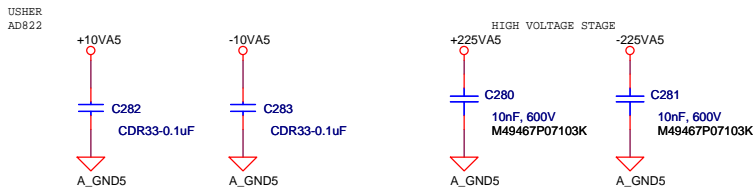
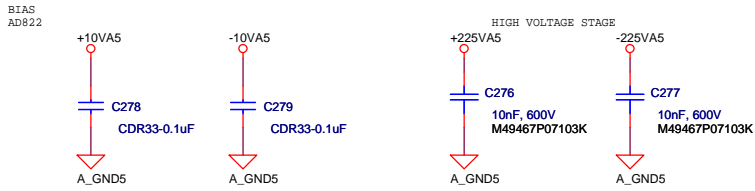
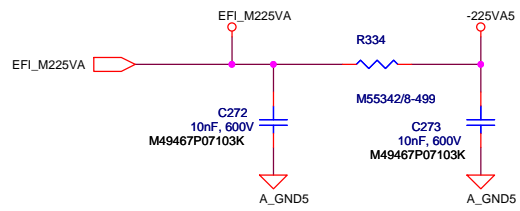
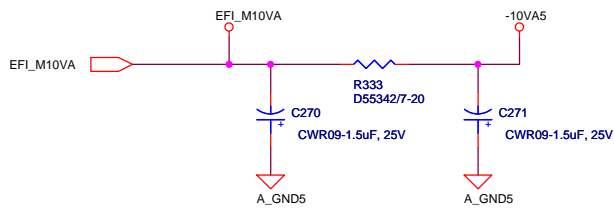
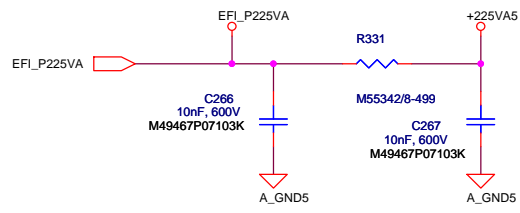
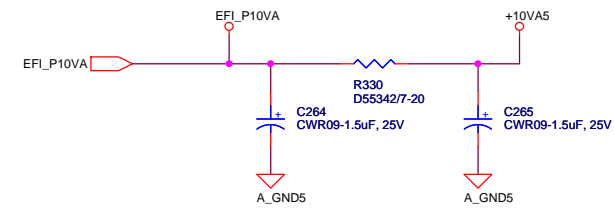


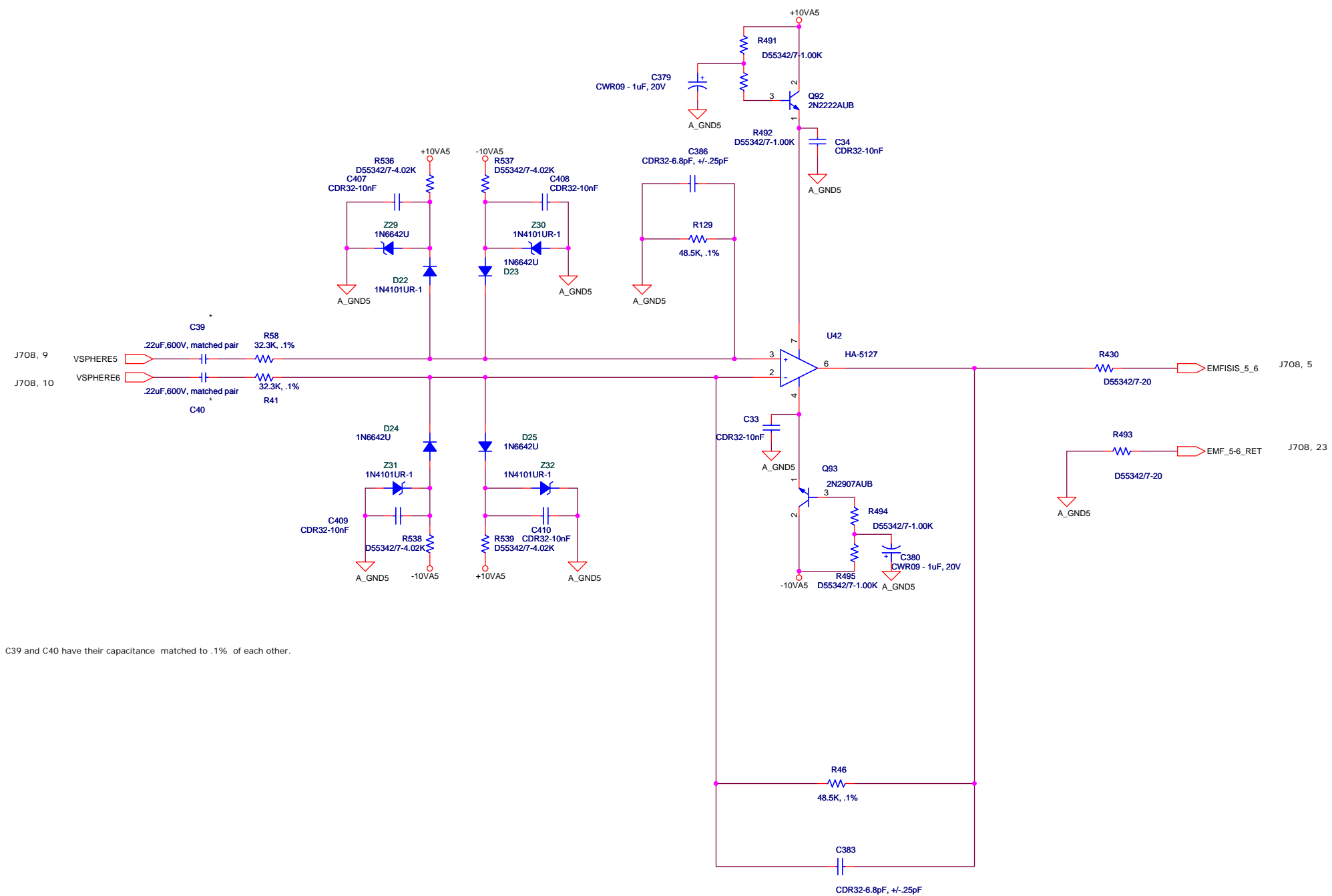






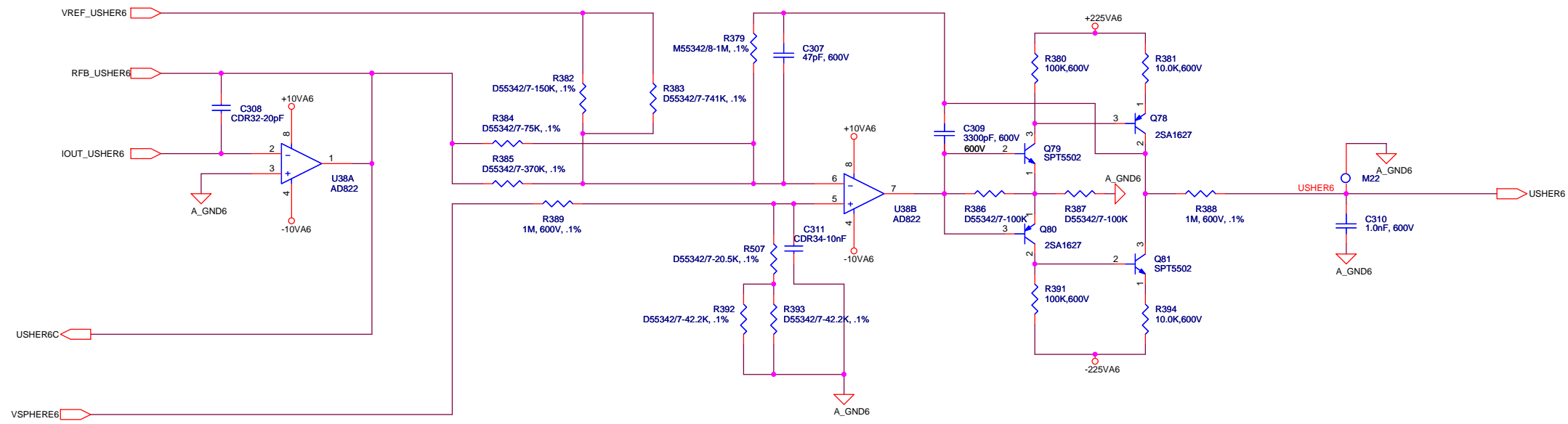
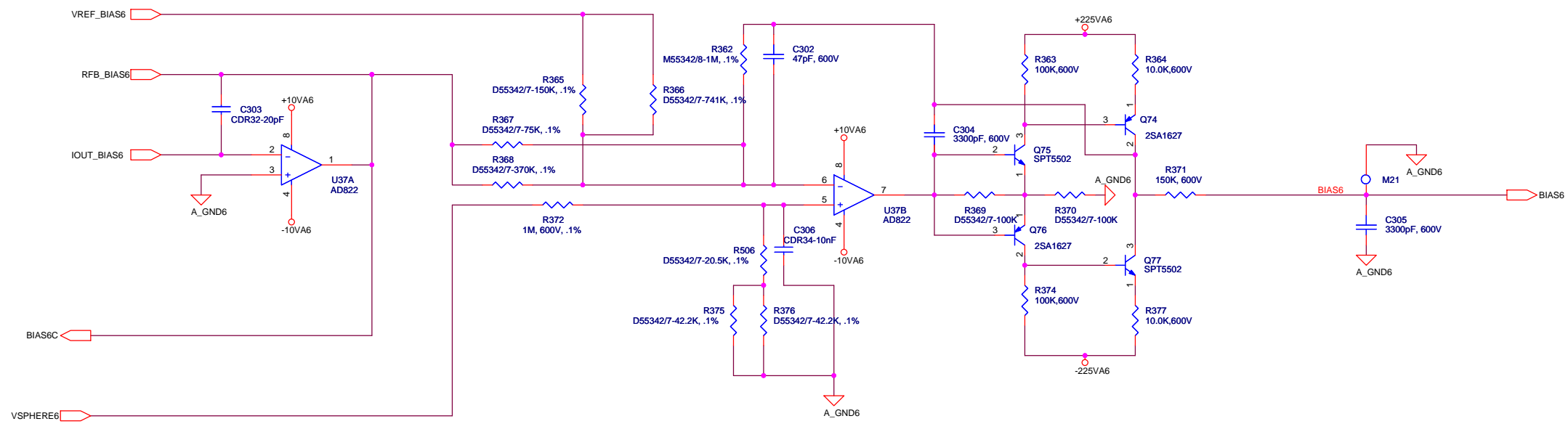


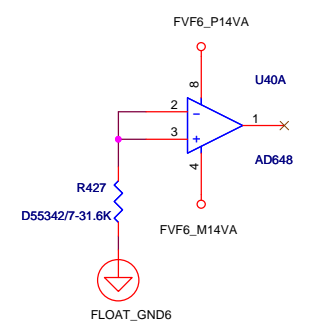
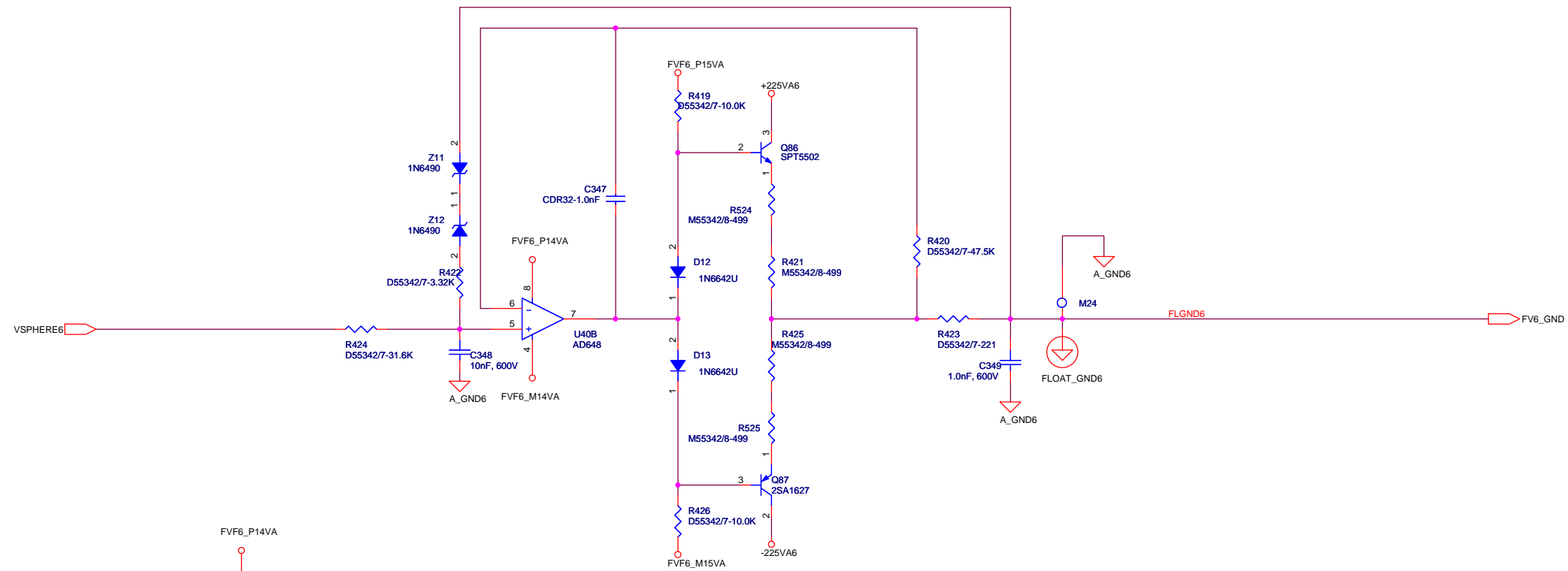
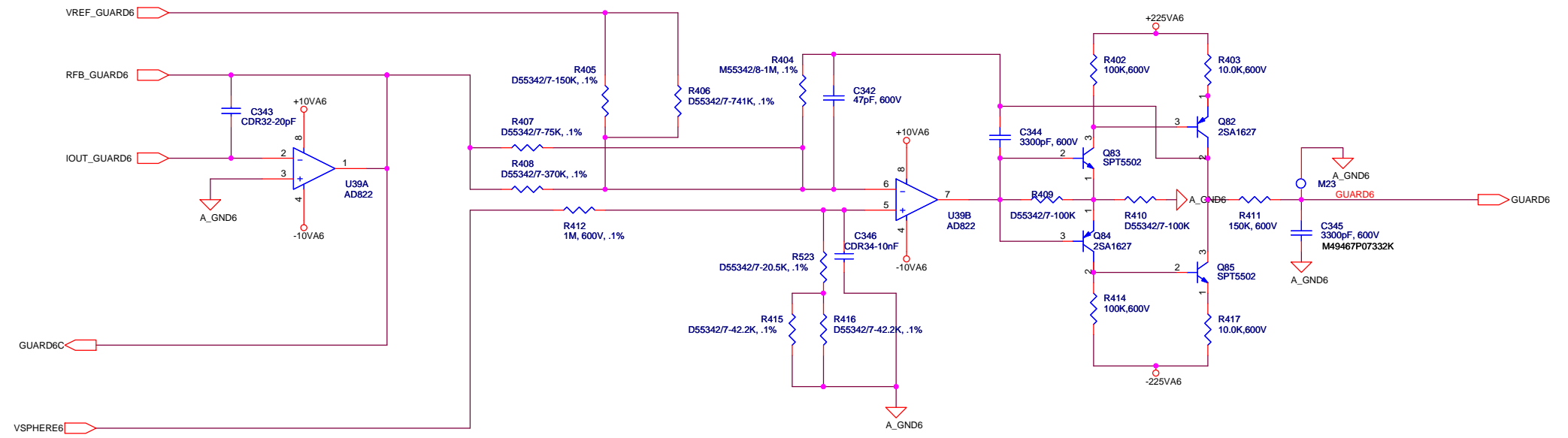


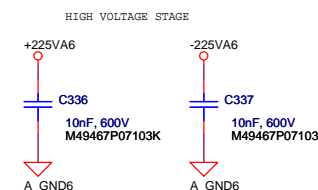
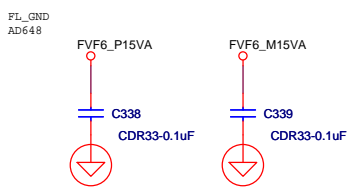
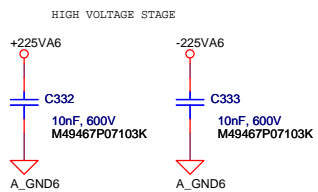
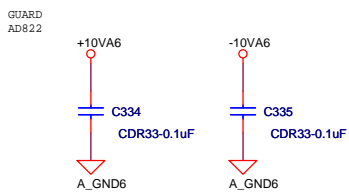
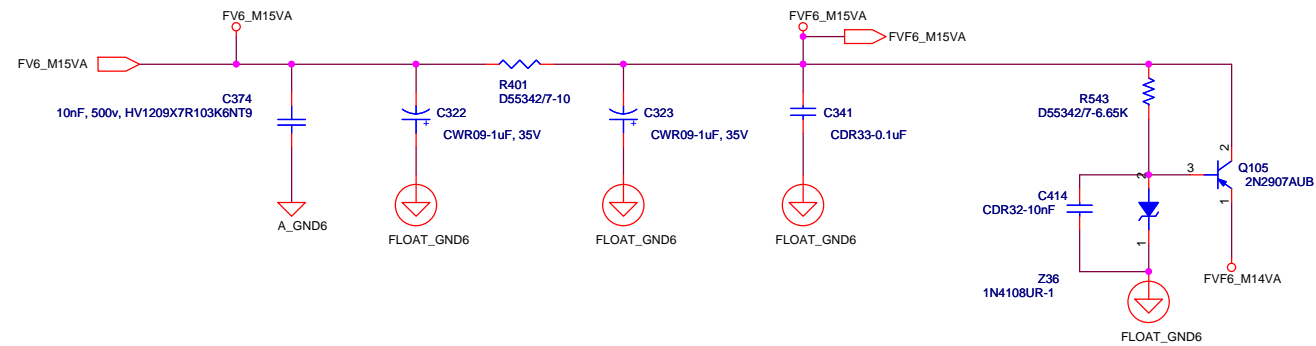
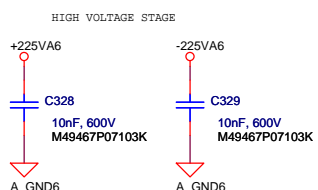
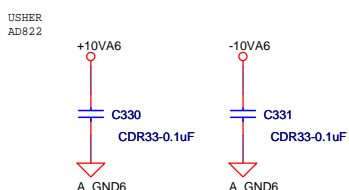
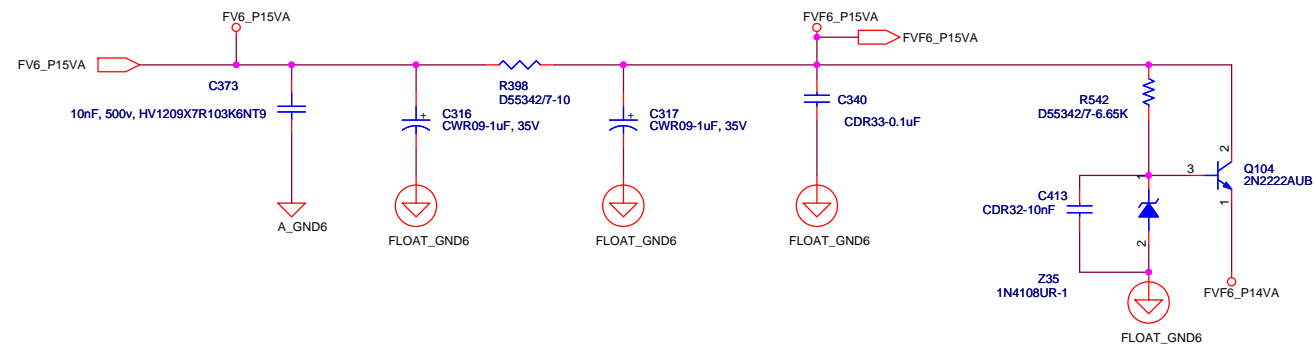
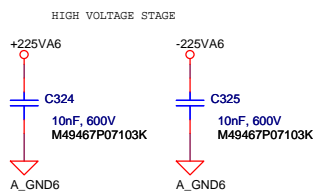
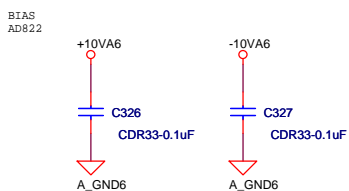
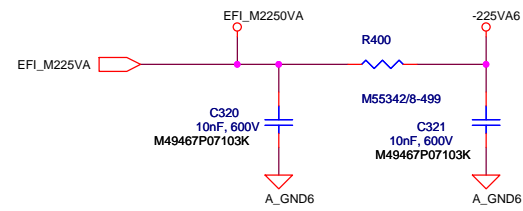
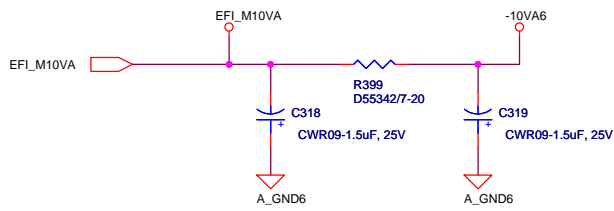
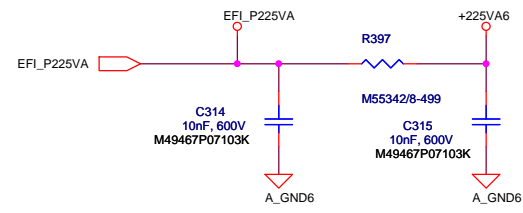
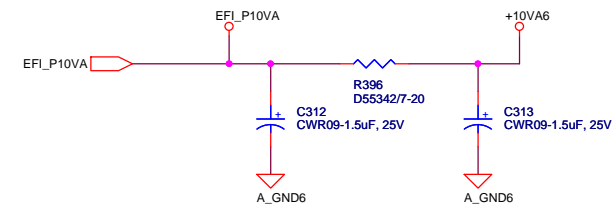


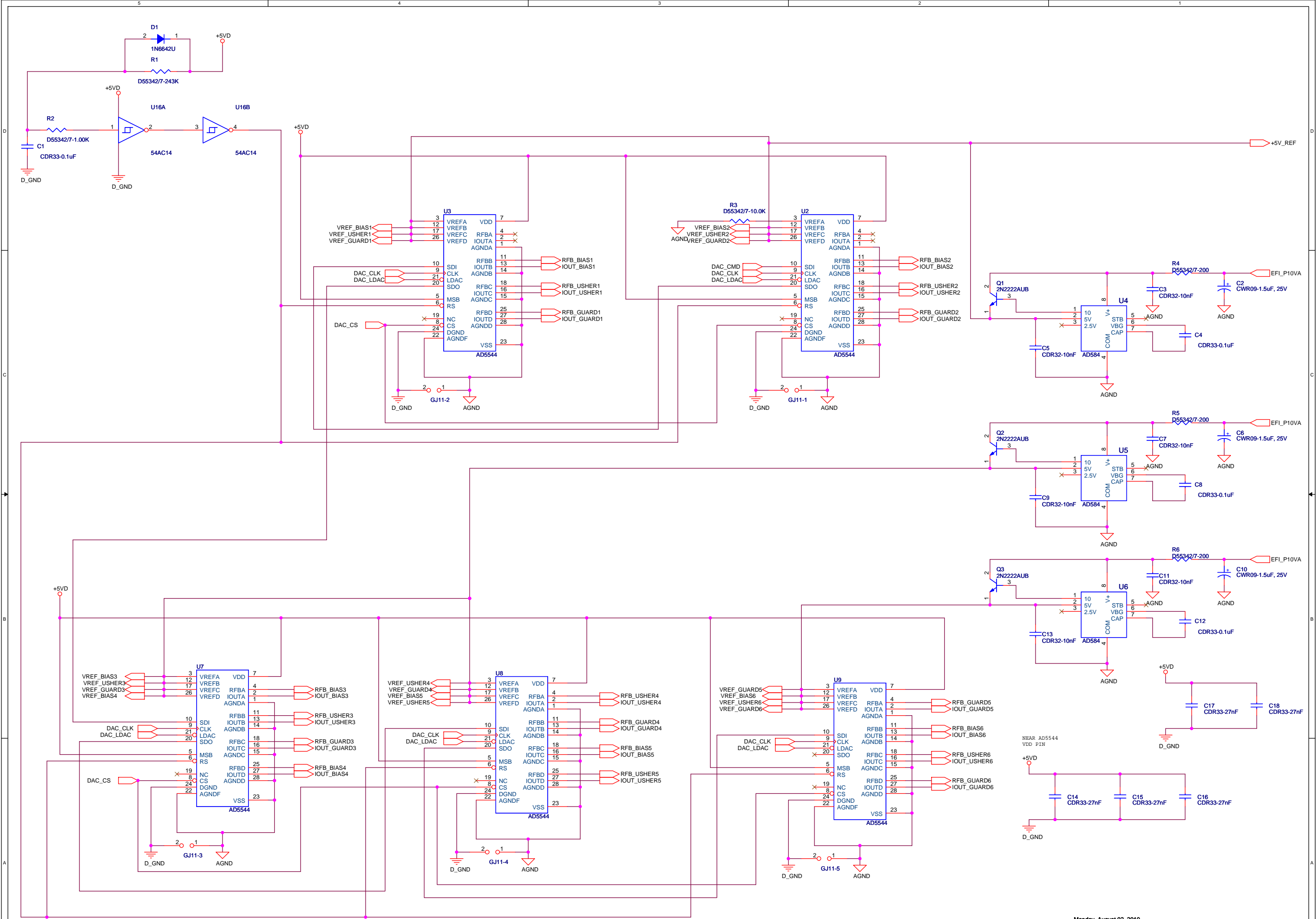
* C39 and C40 have their capacitance matched to .1% of each other.

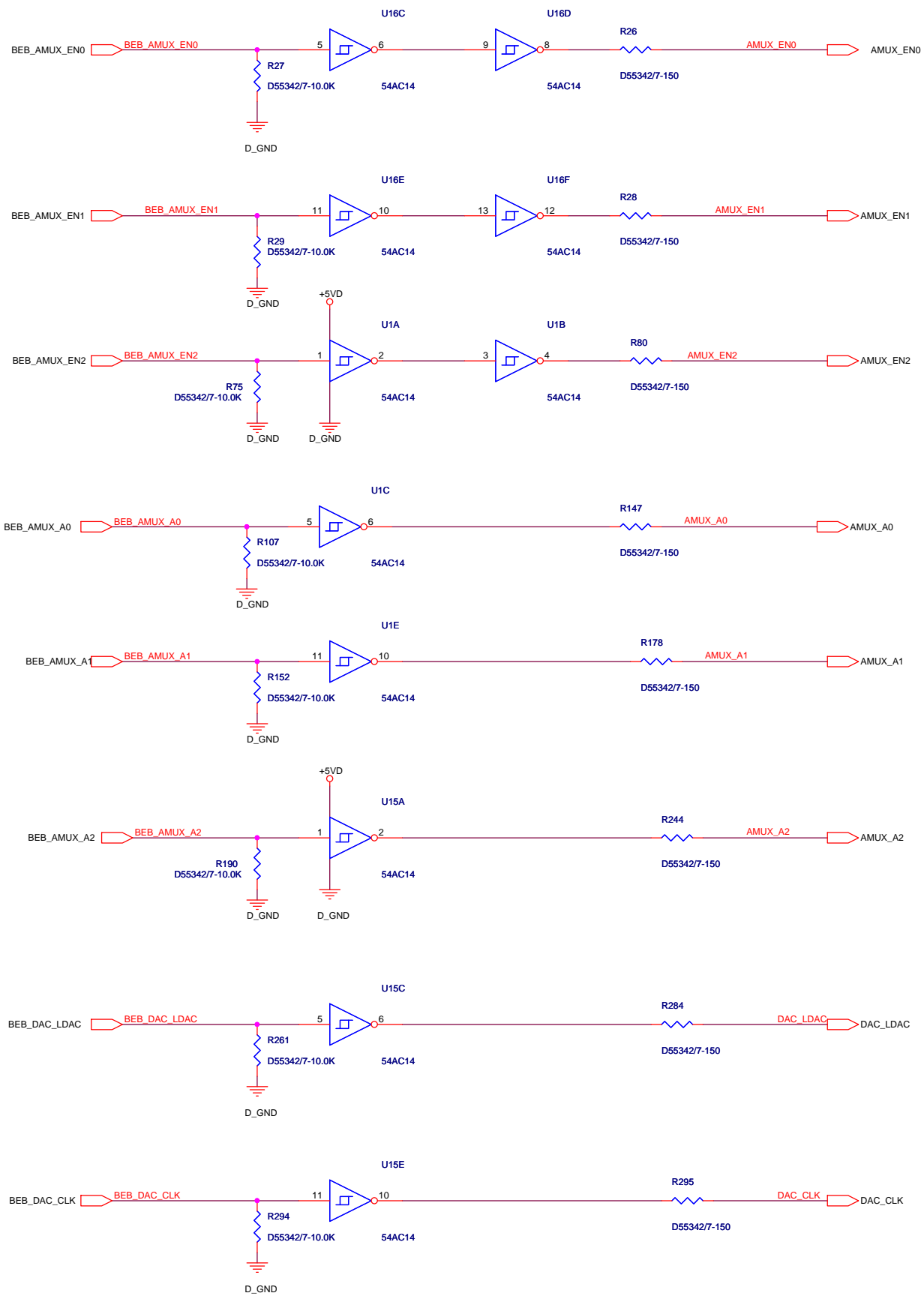
Jane Hoberman		
Title RBSP - BOOM ELECTRONICS BOARD - EMFISIS CHANNEL 5		
Size C	Document Number RBSP_EFW_BEB_SCH_002	Rev H
Date: Monday, August 02, 2010	Sheet 20	of 25











NEAR 54AC14
VCC
PINS

